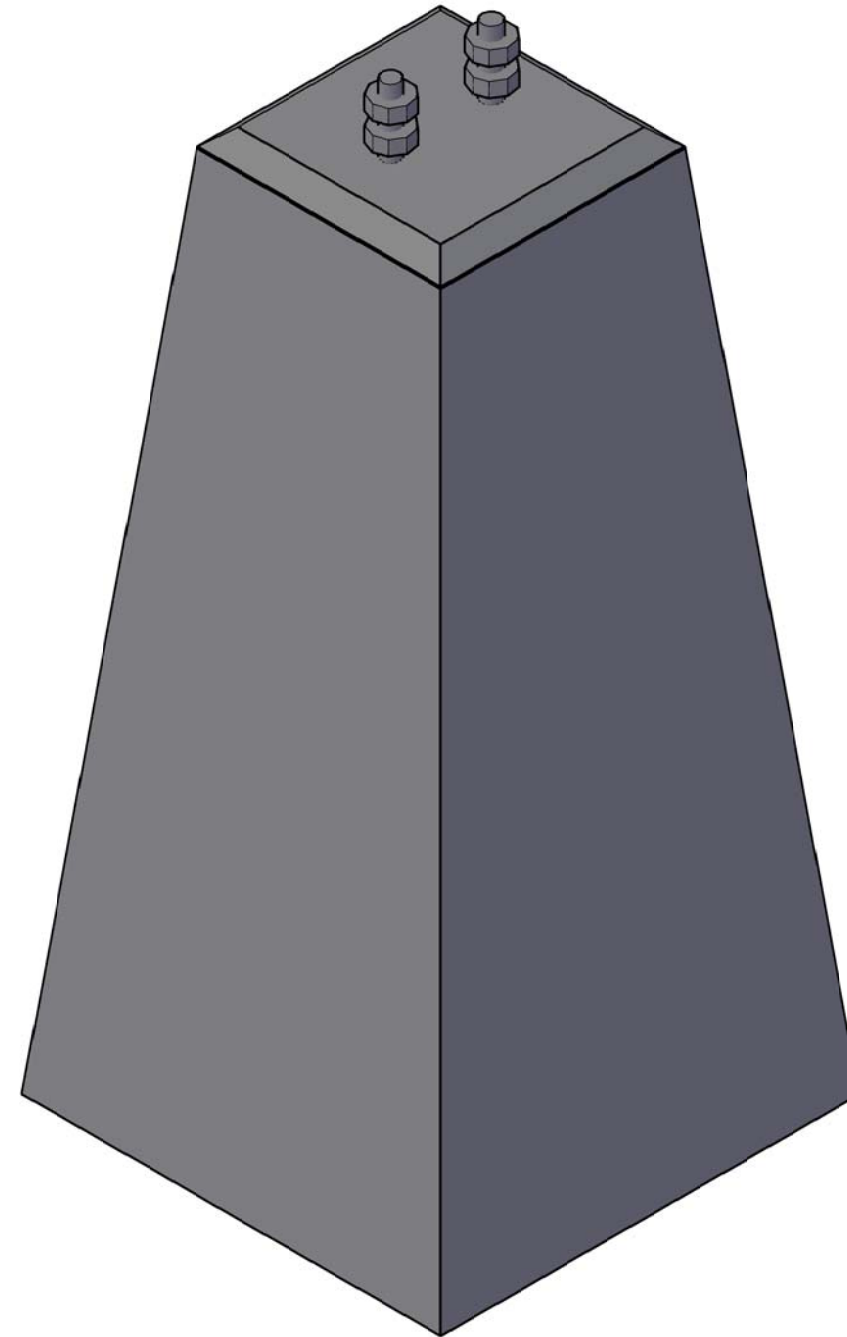
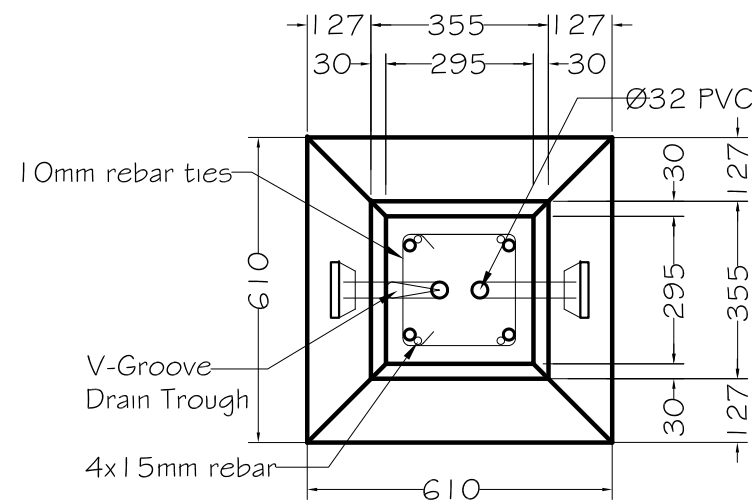
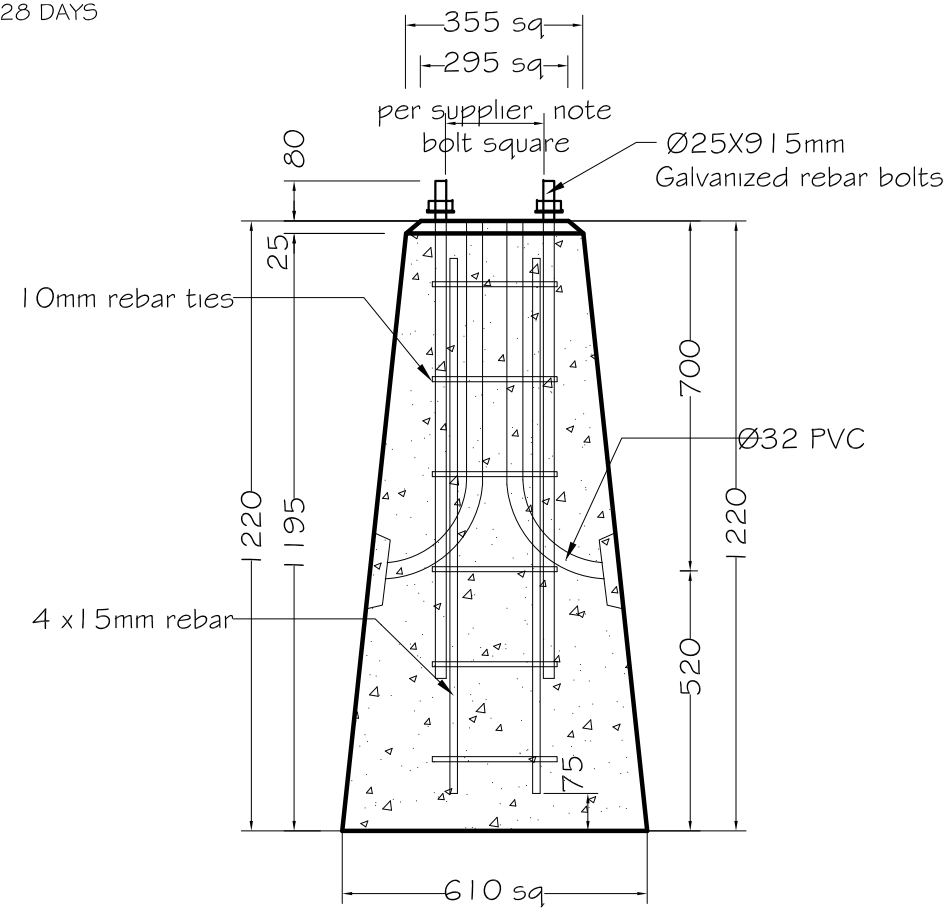


NOTE:

-BOLT PATTERNS TO TEMPLATES SUPPLIED BY POLE MANUFACTURER

-MIN 35 MPA CONCRETE AT 28 DAYS
6% AIR ENTRAINMENT



www.sandersonconcrete.ca
1 2665 116 Ave Surrey,
BC V3V 3S6
Ph. 604-580-4108
Toll free 800-671-8882
FAX.604-580-4111
info@sandersonconcrete.com

PREPARED FOR

PROJECT NAME

1 220 POLE BASE

REQUESTED BY:

JAN ARNTORP

DRAWN BY:

VT

DWG #

1/1

DATE:

Apr 2018

SCALE

TO TEMPLATES SUPPLIED