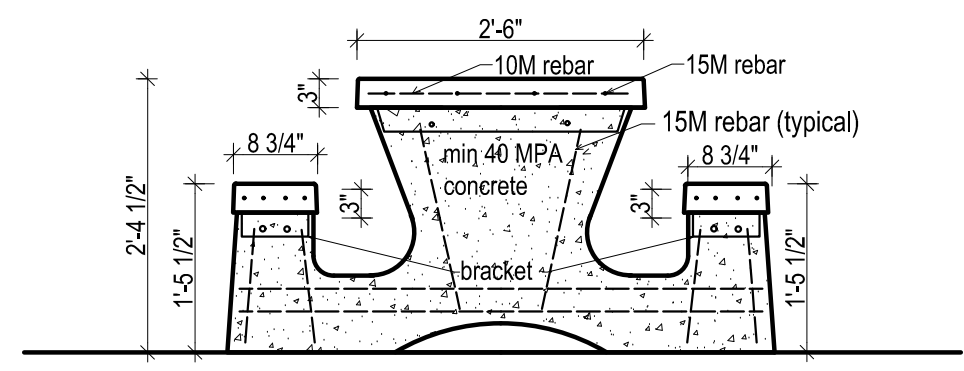
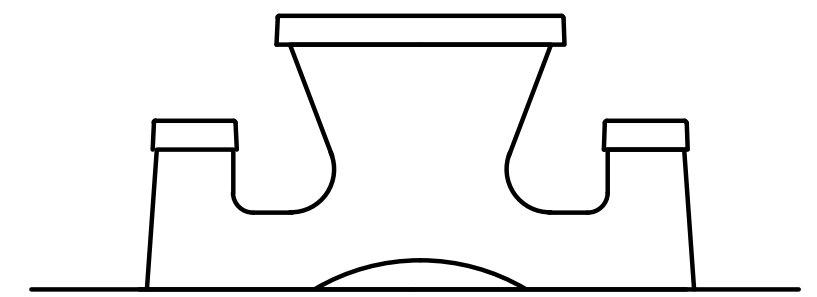


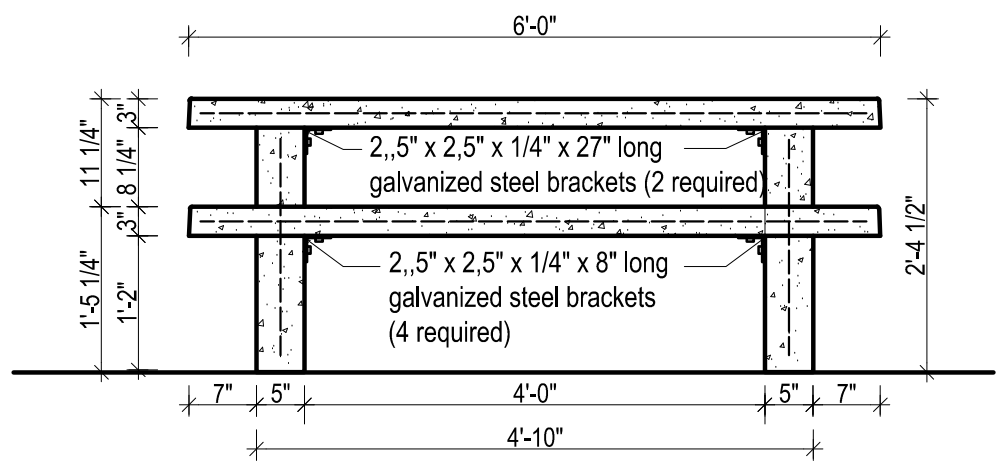
TOP VIEW



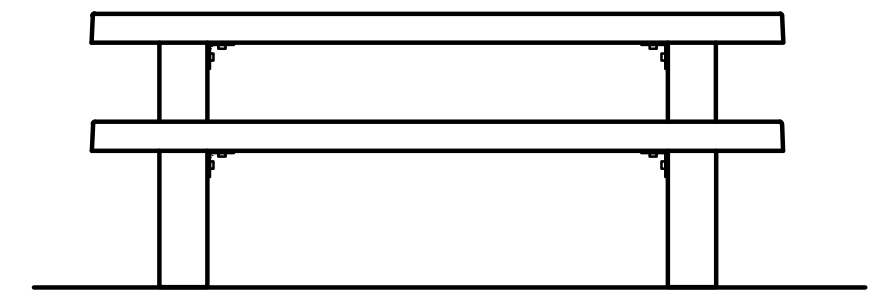
SECTION



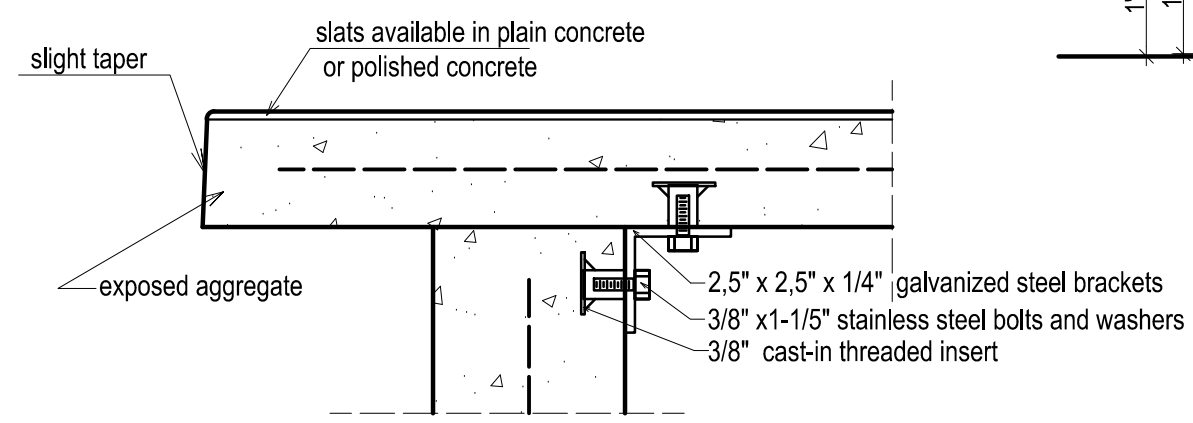
SIDE VIEW



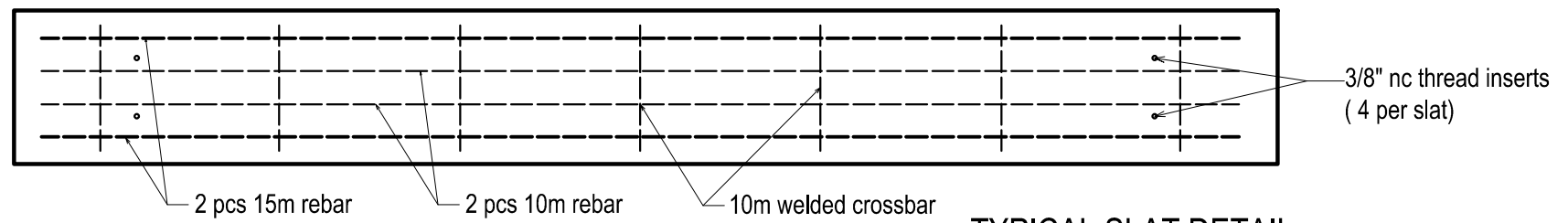
SECTION



SIDE VIEW



TYPICAL MOUNTING BRACKET DETAIL



TYPICAL SLAT DETAIL

- Columbia table configurations include:
- Standard 6'-0 table
  - Wheelchair accessible 7'-6" table
  - Cedar slats
  - Concrete slats
  - Solid concrete tops
  - Mixed cedar and concrete
  - Plain concrete or polished concrete seats and tops
  - inset laser etched granite chess board

 www.sandersonconcrete.ca	PROJECT DESCRIPTION: <b>COLUMBIA PICNIC TABLE</b> 6'-0 concrete seats and solid 6'-0 concrete table top	DRAWN BY: V. TOSHANOVA	SCALE:
		APPROVED BY:	DATE:
12665 116 Ave Surrey, BC V3V 3S6      Ph. 604-580-4108      toll free 800-671-8882      FAX.604-580-411      info@sandersonconcrete.com			DWG NO:
			REV DATE: