



PROJECT DESCRIPTION:

MEDIUM BOWL PLANTER  
LA4 38" dia x 17" tall

DRAWN BY:

V. TOSHANOVA

APPROVED BY:

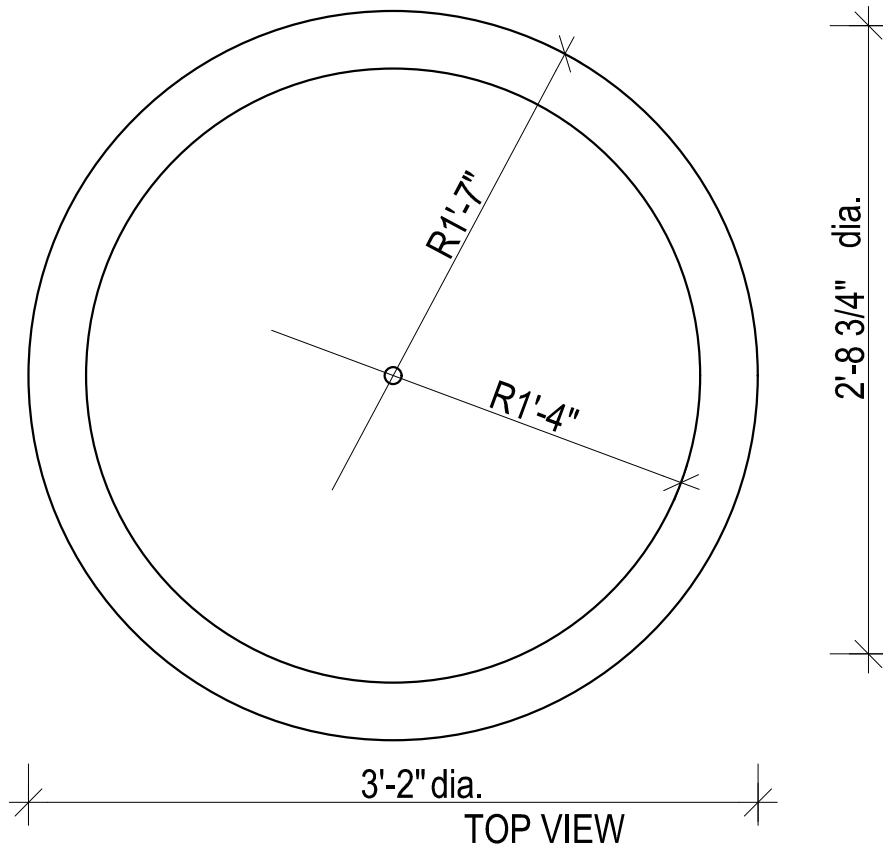
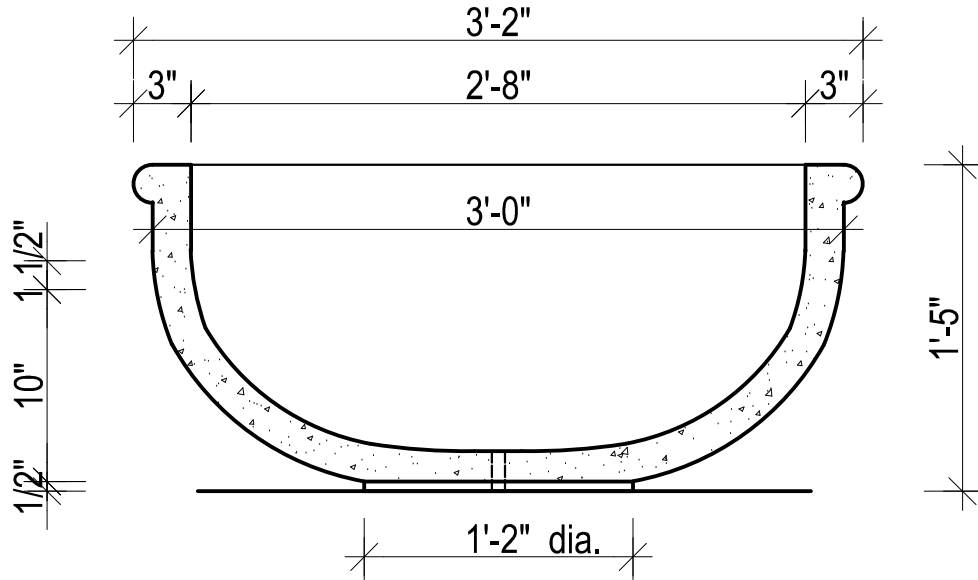
SCALE:

DATE:

DWG NO:

REV DATE:

12665 116 Ave Surrey, BC V3V 3S6 Ph. 604-580-4108 toll free 800-671-8882 FAX. 604-580-4111 info@sandersonconcrete.com



MEDIUM BOWL PLANTER	Diameter x Height	weight
LA4	38" X 17"	335 lbs