

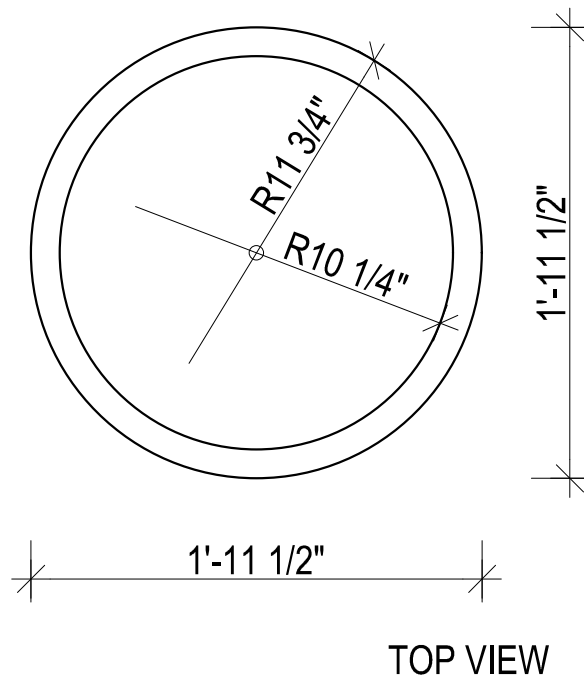
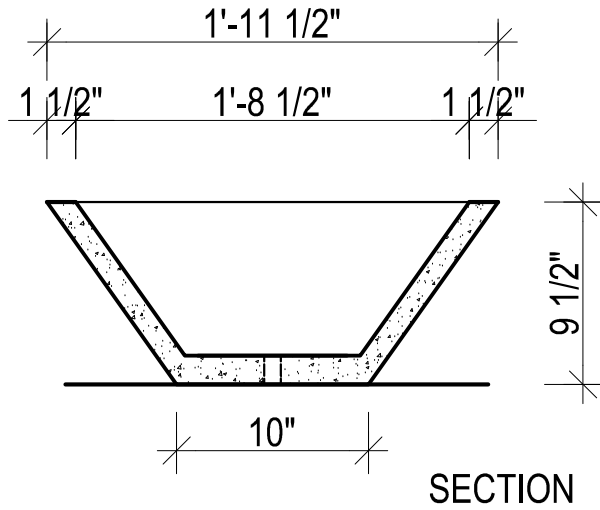


PROJECT DESCRIPTION:  
**FLARED POT**  
 NO18 23 1/2" dia x 9 1/2" tall

DRAWN BY:  
 V. TOSHANOVA  
 APPROVED BY:

SCALE:  
 DATE:  
 DWG NO:  
 REV DATE:

12665 116 Ave Surrey, BC V3V 3S6 Ph. 604-580-4108 toll free 800-671-8882 FAX. 604-580-4111 info@sandersonconcrete.com



FLARED POT NO18	Diameter x Height	weight
	23 1/2" X 9 1/2"	72 lbs