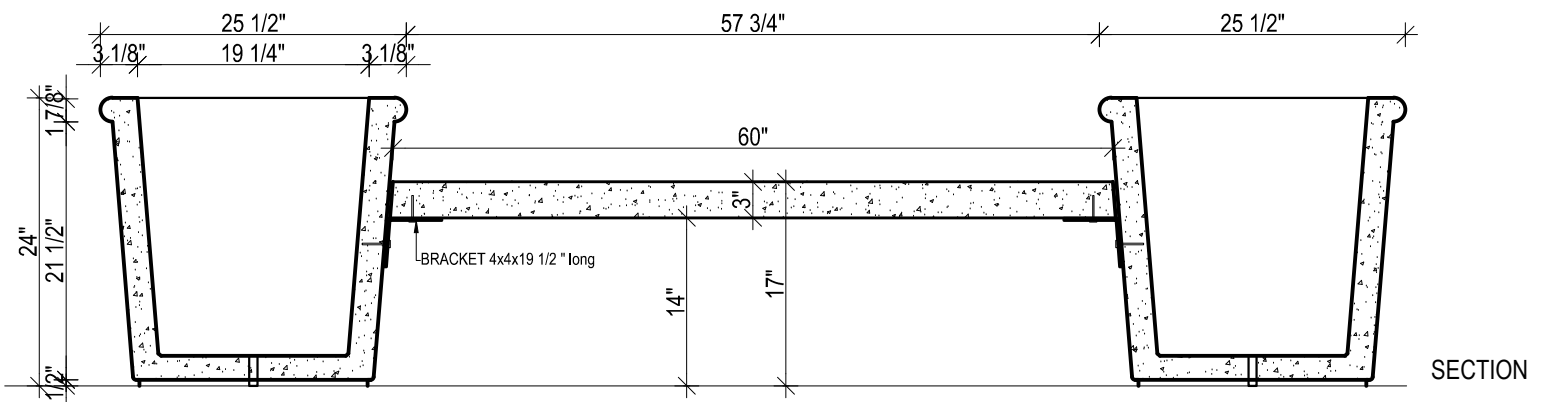
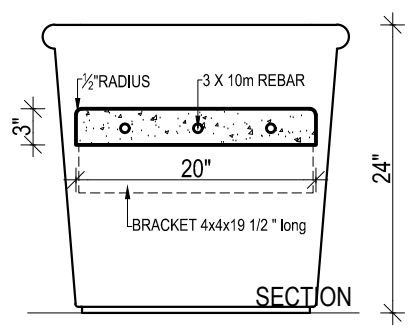
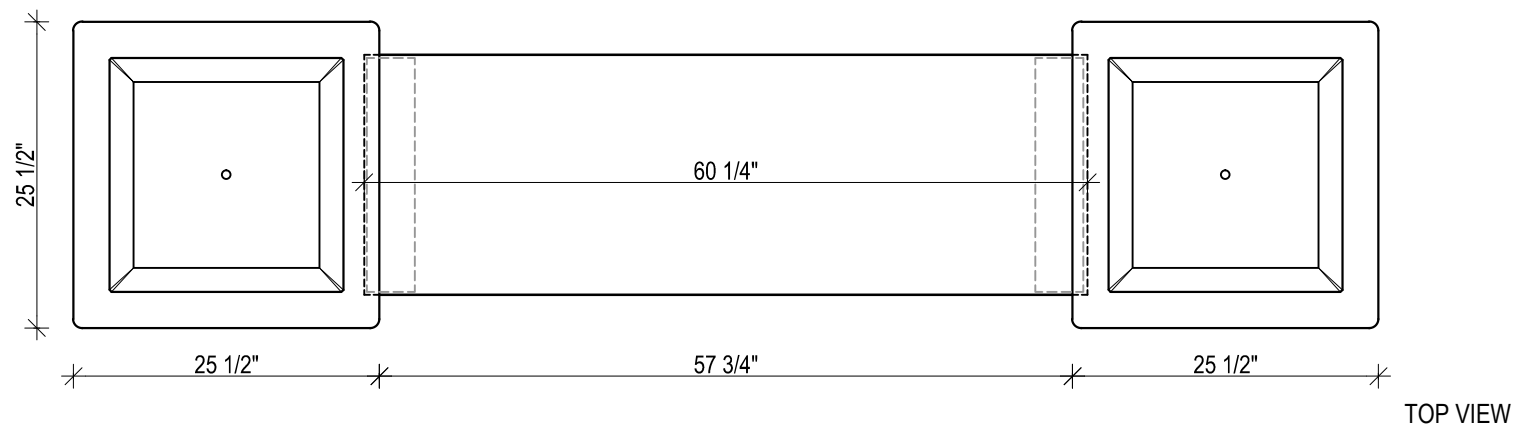
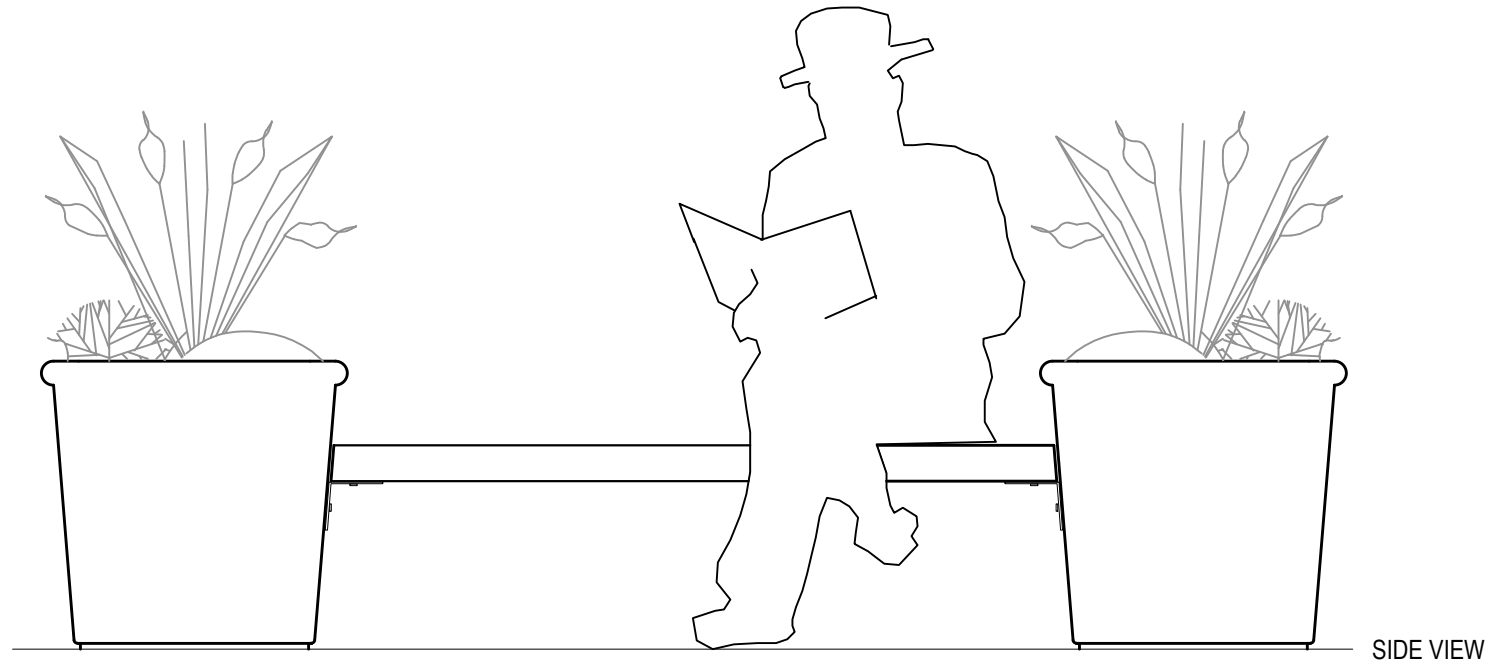




CUSTOMER:	REQUESTED BY:	SCALE:
	JAN ARNTORP	DATE: Jun 2017
PROJECT NAME:	DRAWN BY: VT	DWG NO 1/1
	APPROVED BY:	REV DATE:
12665 116 Ave Surrey, BC V3V 3S6 Ph. 604-580-4108 toll free 800-671-8882 FAX.604-580-411 info@sandersonconcrete.com		

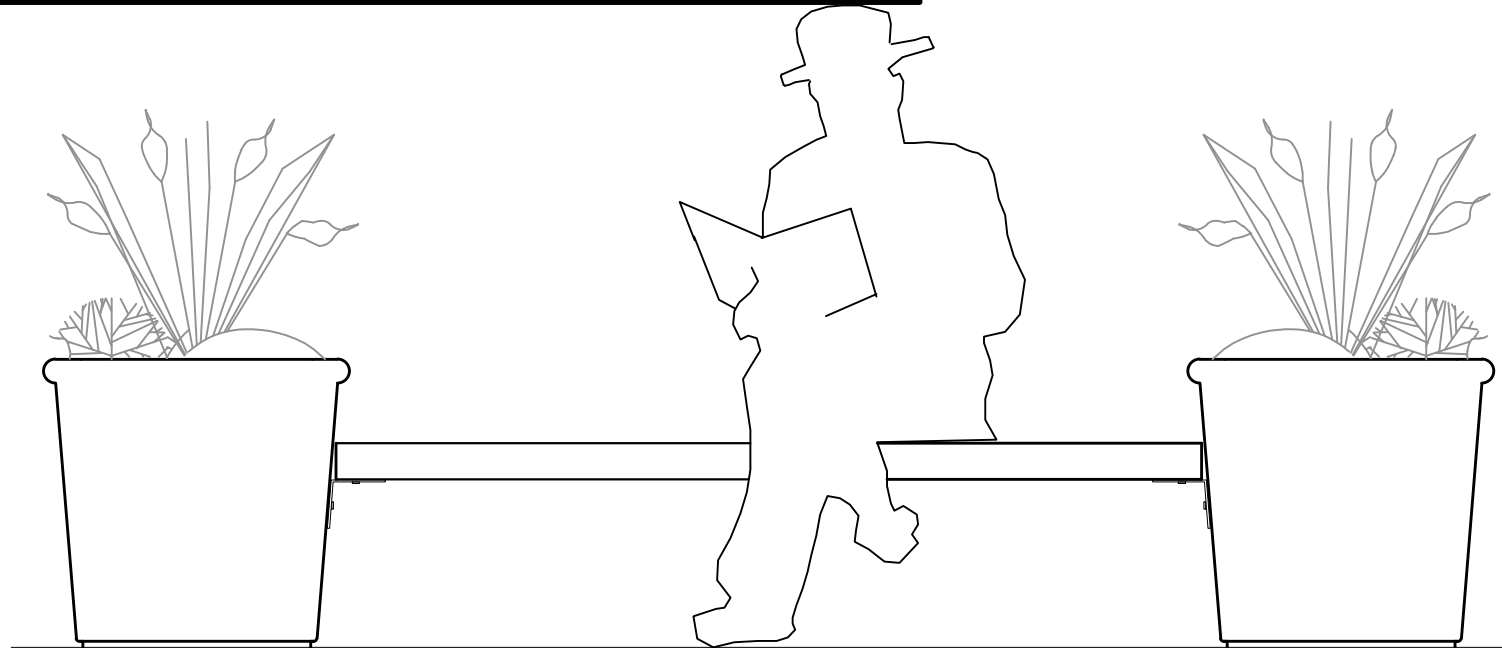
**Planta bench**



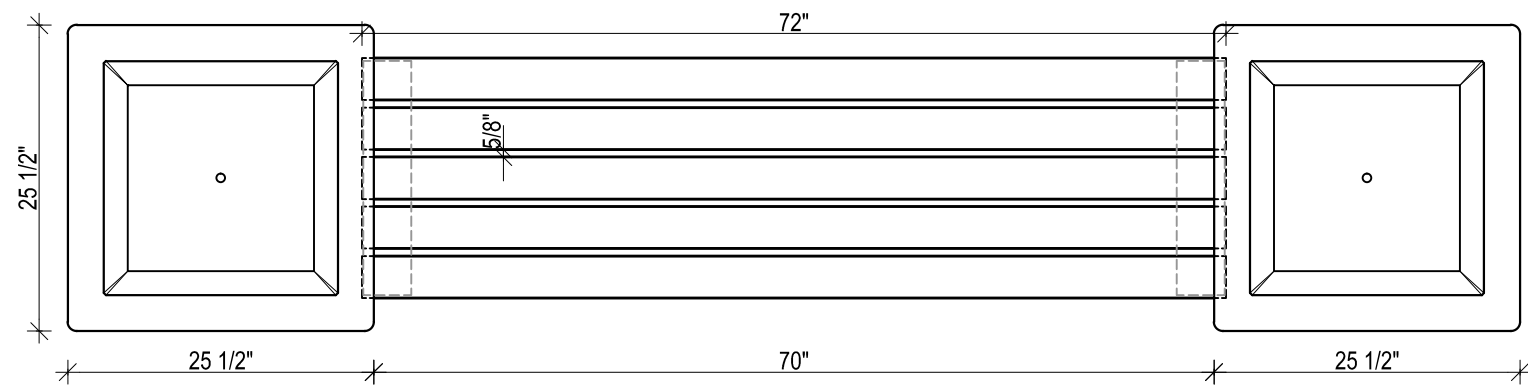


CUSTOMER:	REQUESTED BY:	SCALE:
	JAN ARNTORP	DATE: Jun 2017
PROJECT NAME:	DRAWN BY: VT	DWG NO 1/2
	APPROVED BY:	REV DATE:
12665 116 Ave Surrey, BC V3V 3S6 Ph. 604-580-4108 toll free 800-671-8882 FAX.604-580-4111 info@sandersonconcrete.com		

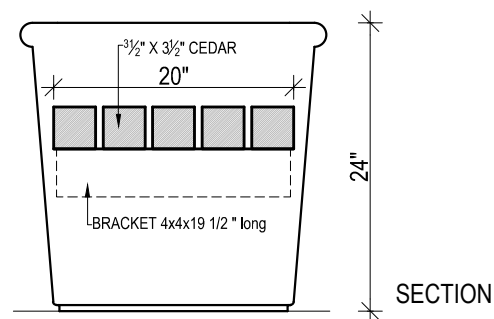
**Planta bench**



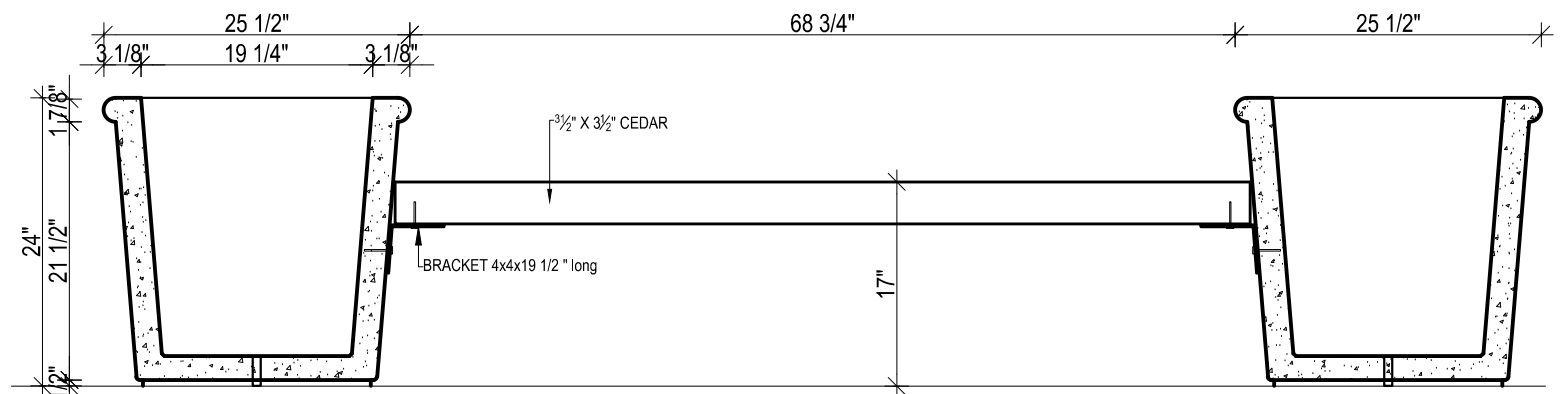
SIDE VIEW



TOP VIEW



SECTION



SECTION