



www.sandersonconcrete.ca

PROJECT DESCRIPTION:

HIGH PROFILE PARKING CURB
12" wide x 8" tall x 8' - 0" long

DRAWN BY:

VT

APPROVED BY:

JAN ARNTORP

SCALE:

DATE:

DWG NO:

REV DATE:

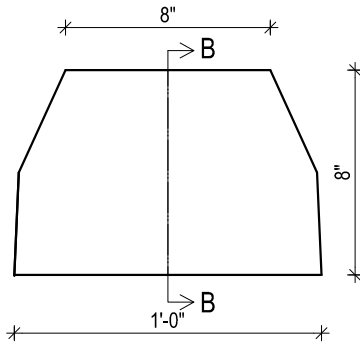
12665 116 Ave Surrey, BC V3V 3S6

Ph. 604-580-4108

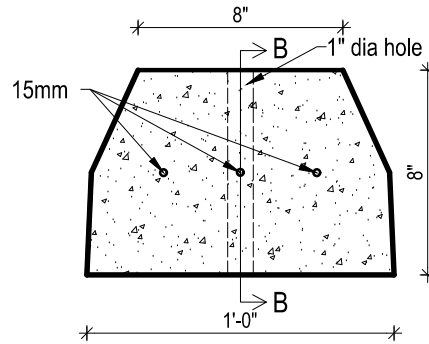
toll free 800-671-8882

FAX.604-580-411

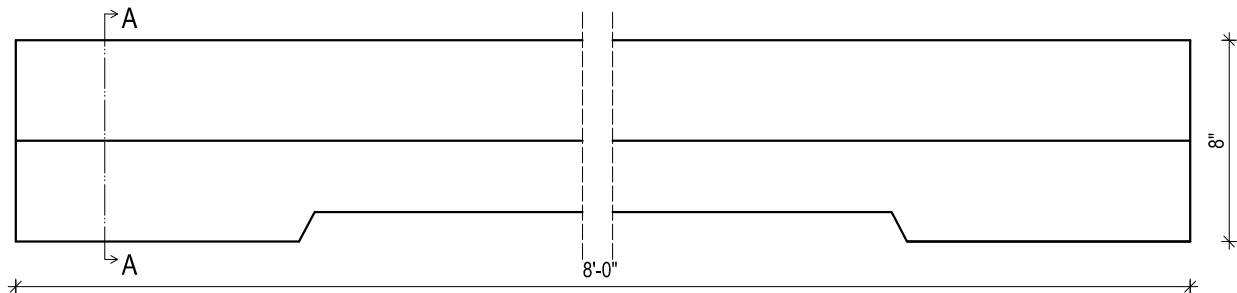
info@sandersonconcrete.com



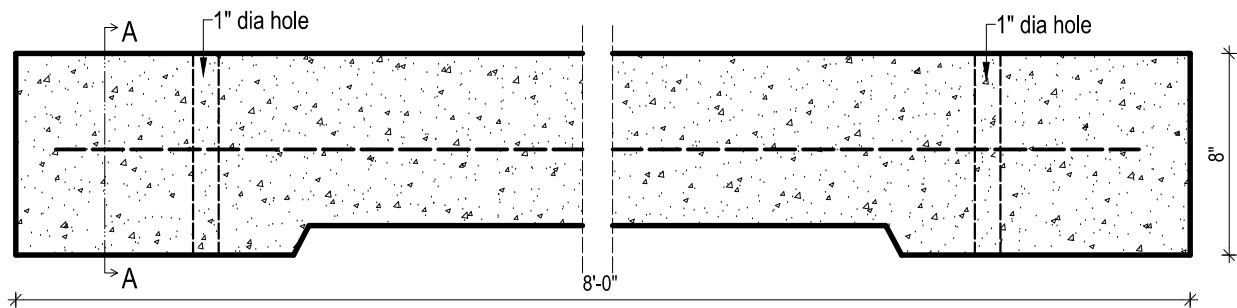
SIDE VIEW



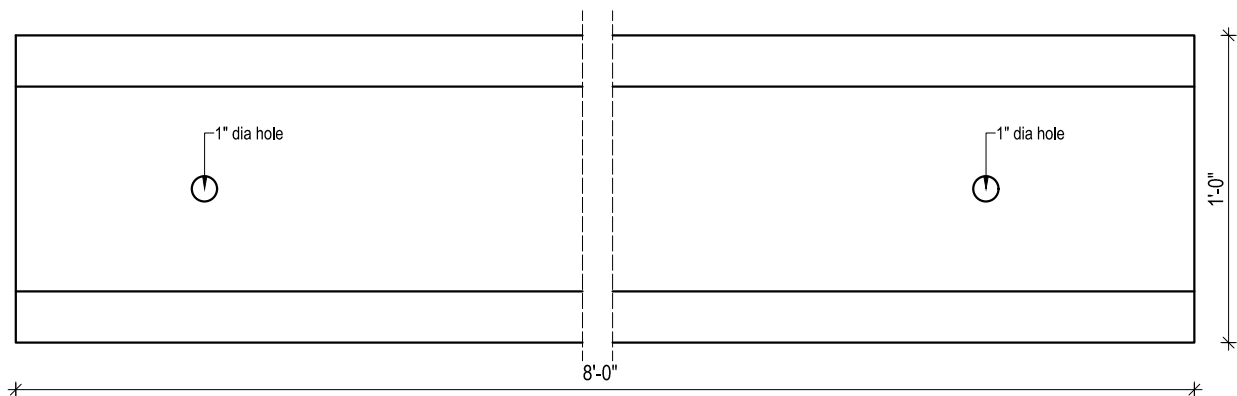
SIDE VIEW



FRONT VIEW



SECTION A-A



TOP VIEW

High profile parking curb Width x Height x Length

Top width

weight

12" wide x 8" tall x 8' - 0" long

8" across top

750 lbs