



PROJECT DESCRIPTION:

RECTANGULAR PLANTER  
RL37 37 1/2" x 13 1/2" x 12 tall

DRAWN BY:

V. TOSHANOVA

SCALE:

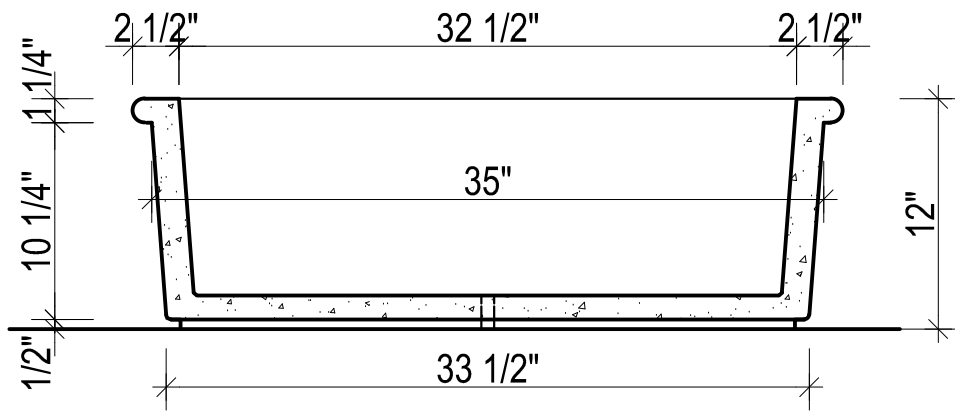
DATE:

APPROVED BY:

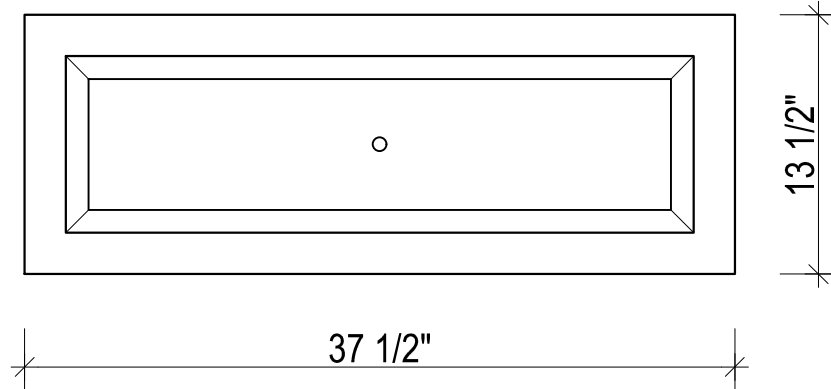
DWG NO:

REV DATE:

12665 116 Ave Surrey, BC V3V 3S6 Ph. 604-580-4108 toll free 800-671-8882 FAX.604-580-411 info@sandersonconcrete.com



SECTION



TOP VIEW

RECTANGULAR PLANTER	Width x Length x Height	weight
RL37	37 1/2" x 13 1/2" X 12"	150 lb.