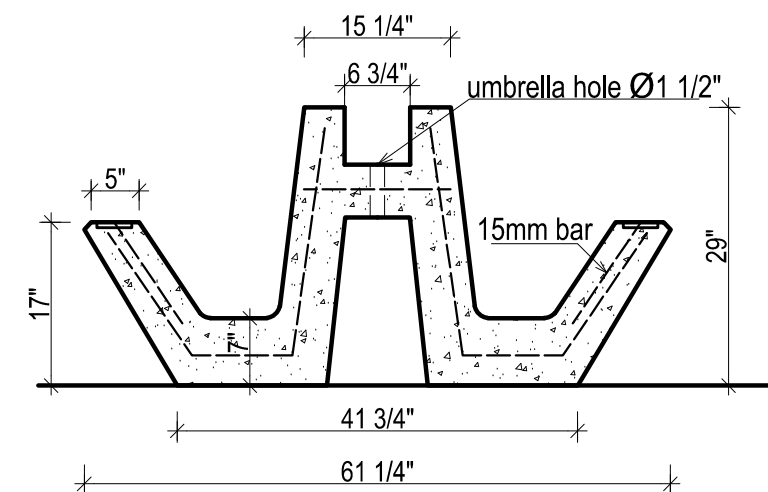
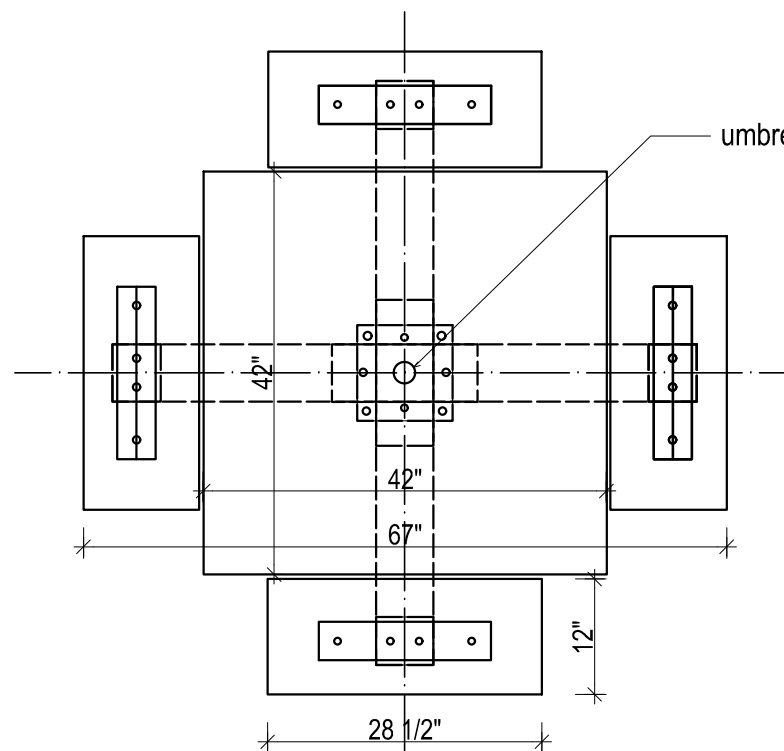


BELCARRA TOP LEG



BELCARRA TOP LEG



TOP VIEW

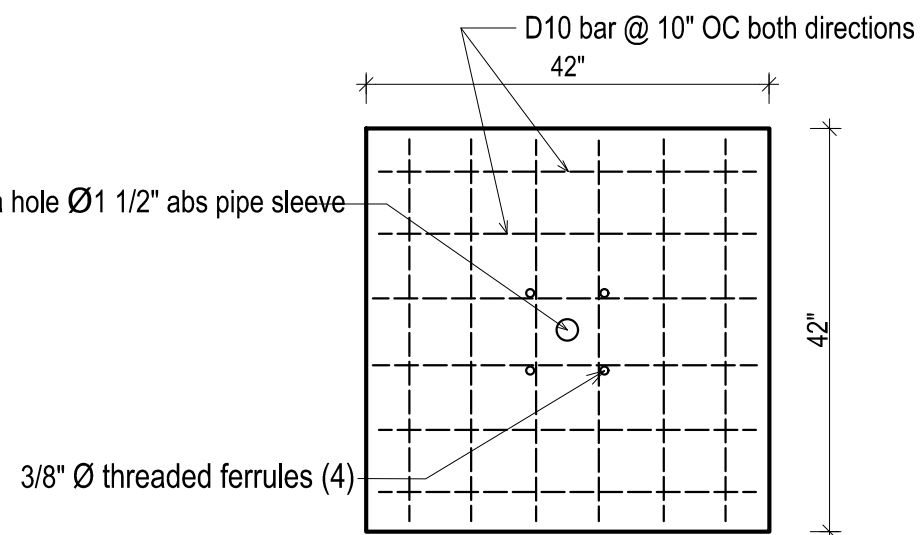
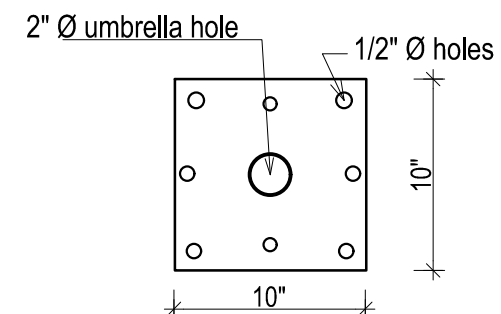
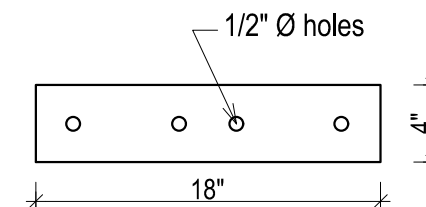


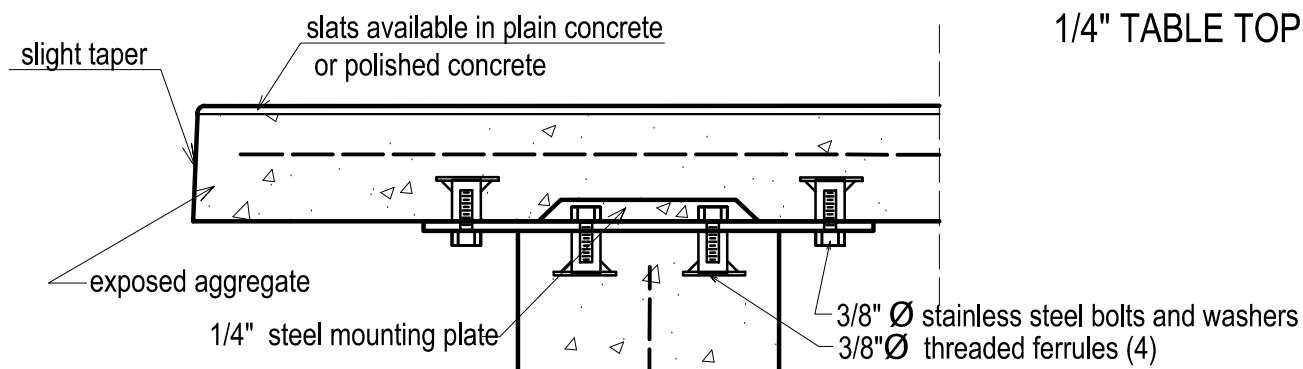
TABLE TOP 42" x 42" x 3" THICK



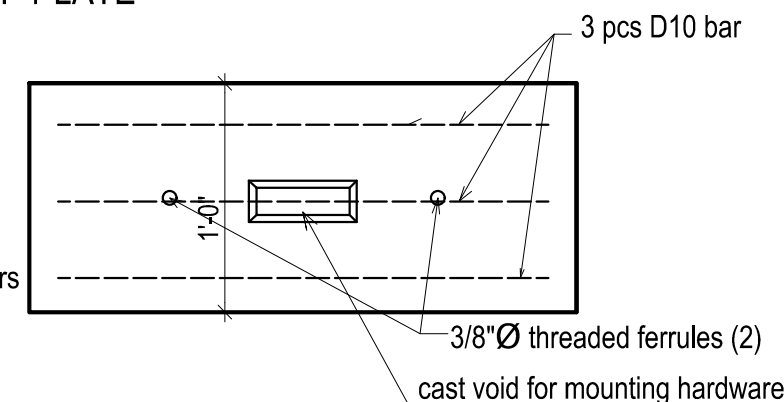
1/4" TABLE TOP PLATE



1/4" SEAT PLATES (4)



TYPICAL MOUNTING BRACKET DETAIL



4 SEATS 28 1/2" x 12" x 3" THICK

Belcarra table configurations include:
 Round table with 4 seats
 Round wheelchair accessible table with 3 seats
 Square table with 4 seats
 Square wheelchair accessible table with 3 seats

 SANDERSON CONCRETE INC. www.sandersonconcrete.ca	PROJECT DESCRIPTION:	DRAWN BY:	SCALE:
	BELCARRA PICNIC TABLE- SQUARE	V. TOSHANOVA	DATE:
		APPROVED BY:	DWG NO:
			REV DATE: Mar 2018
12665 116 Ave Surrey, BC V3V 3S6 Ph. 604-580-4108 toll free 800-671-8882 FAX.604-580-411 info@sandersonconcrete.com			