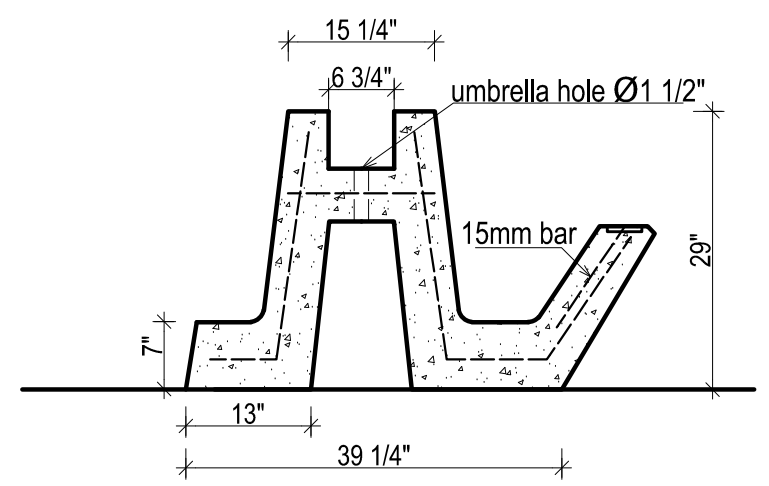
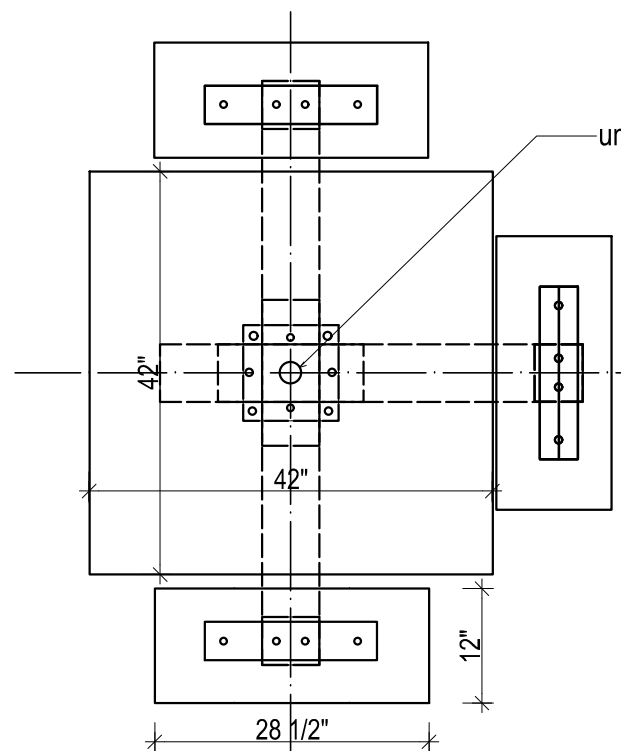


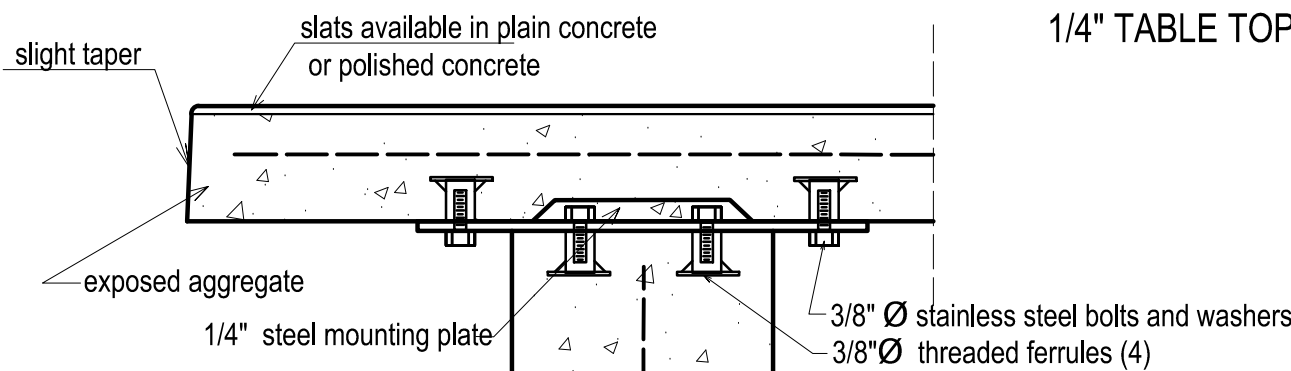
BELCARRA TOP LEG



BELCARRA TOP LEG



TOP VIEW



TYPICAL MOUNTING BRACKET DETAIL

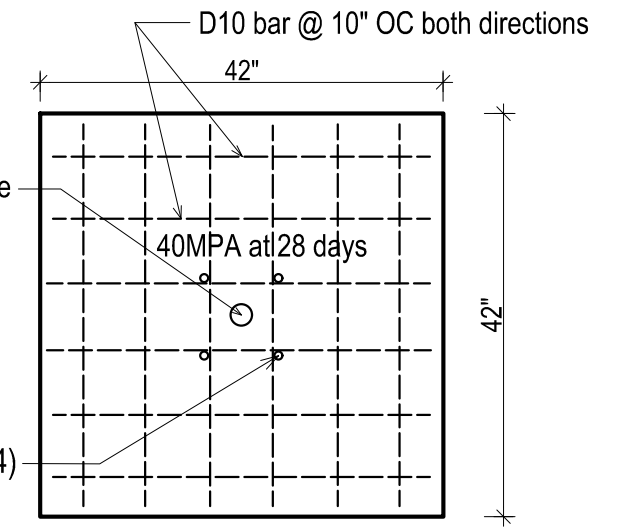
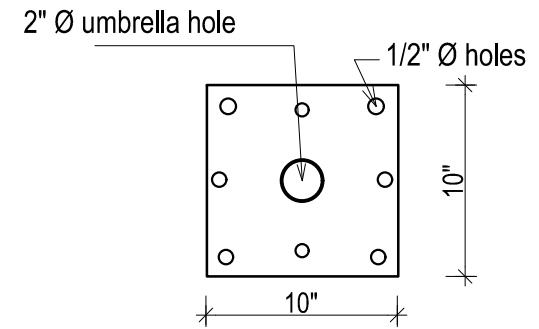
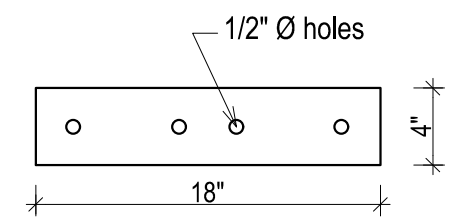


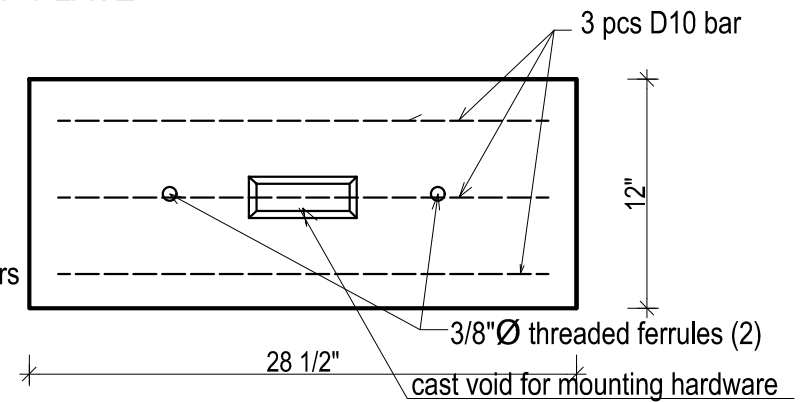
TABLE TOP 42" x 42" x 3" THICK



1/4" TABLE TOP PLATE



1/4" SEAT PLATES (4)



4 SEATS 28 1/2" x 12" x 3" THICK

NOTE: AVAILABLE IN BOTH ROUND AND SQUARE CONFIGURATIONS

Belcarra table configurations include:
 Round table with 4 seats
 Round wheelchair accessible table with 3 seats
 Square table with 4 seats
 Square wheelchair accessible table with 3 seats

 www.sandersonconcrete.ca	PROJECT DESCRIPTION:	DRAWN BY:	SCALE:
	BELCARRA WHEELCHAIR PICNIC TABLE - SQUARE OR ROUND	V. TOSHANOVA	DATE:
		APPROVED BY:	DWG NO:
			REV DATE: Mar 2018