



PROJECT DESCRIPTION:
TALL POT PLANTER
 LA5 15" dia x 17" tall

DRAWN BY:
 V. TOSHANOVA

APPROVED BY:

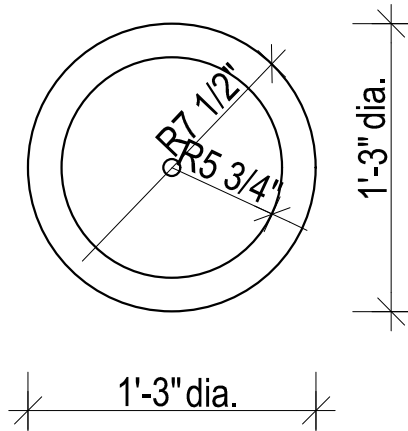
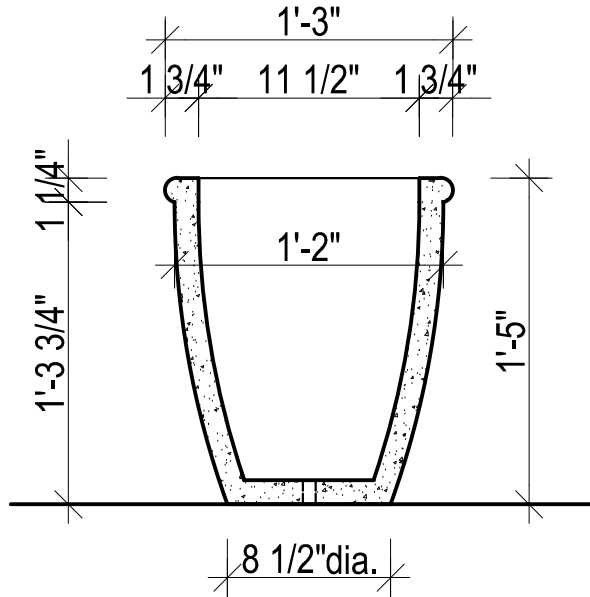
SCALE:

DATE:

DWG NO:

REV DATE:

12665 116 Ave Surrey, BC V3V 3S6 Ph. 604-580-4108 toll free 800-671-8882 FAX.604-580-411 info@sandersonconcrete.com



TALL POT PLANTER LA5	Diameter x Height	weight
	15" X 17"	85 lbs