



PROJECT DESCRIPTION:

SHALLOW BOWL PLANTER  
LSA3 38" dia x 10 1/2" tall

DRAWN BY:

V. TOSHANOVA

APPROVED BY:

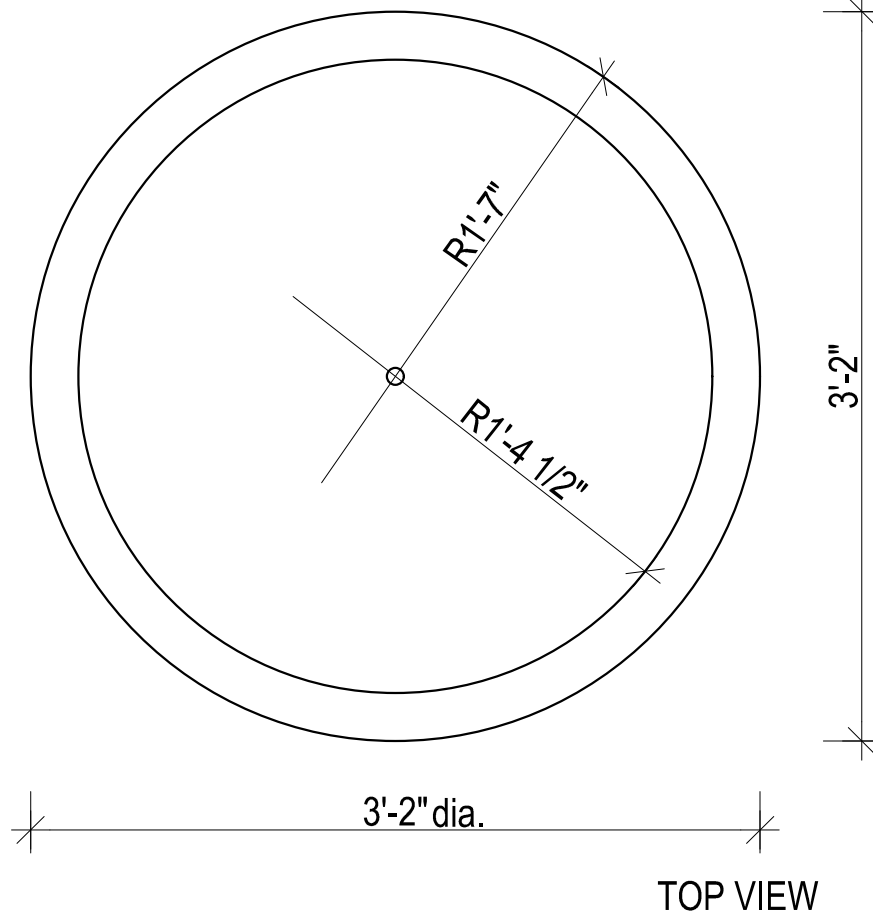
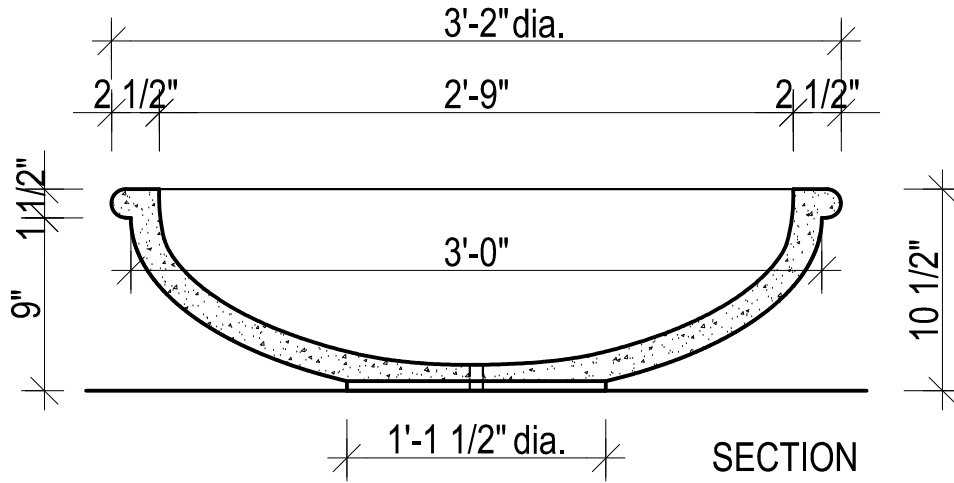
SCALE:

DATE:

DWG NO:

REV DATE:

12665 116 Ave Surrey, BC V3V 3S6 Ph. 604-580-4108 toll free 800-671-8882 FAX.604-580-411 info@sandersonconcrete.com



SHALLOW BOWL PLANTER  
LSA3

Diameter x Height  
39" X 10 1/2"

weight  
300 lbs