



PROJECT DESCRIPTION:

SQUARE PLANTER

SL24/14 25 1/2" x 25 1/2" X 14" tall

DRAWN BY:

V. TOSHANOVA

SCALE:

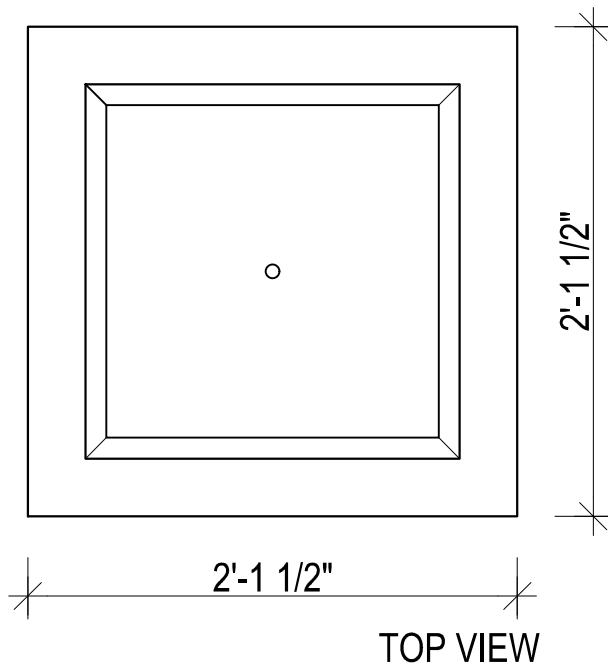
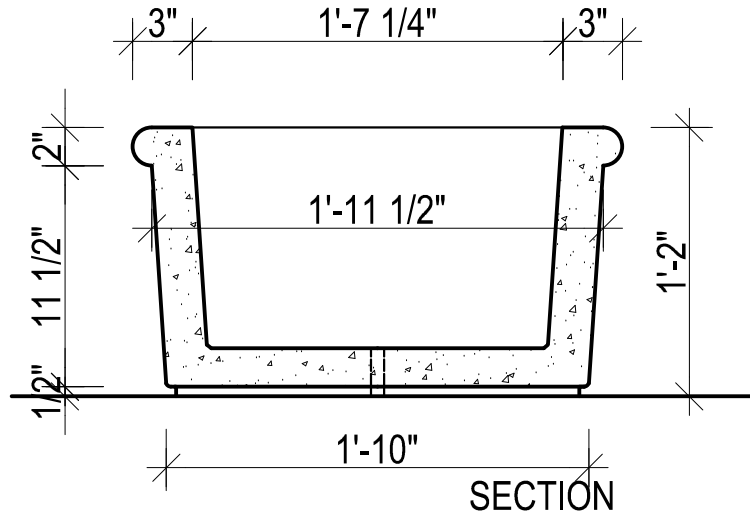
DATE:

APPROVED BY:

DWG NO:

REV DATE:

12665 116 Ave Surrey, BC V3V 3S6 Ph. 604-580-4108 toll free 800-671-8882 FAX. 604-580-4111 info@sandersonconcrete.com



SQUARE PLANTER SL24 /14	Width x Length x Height	weight
	25 1/2" x 25 1/2" X 14"	200 lbs