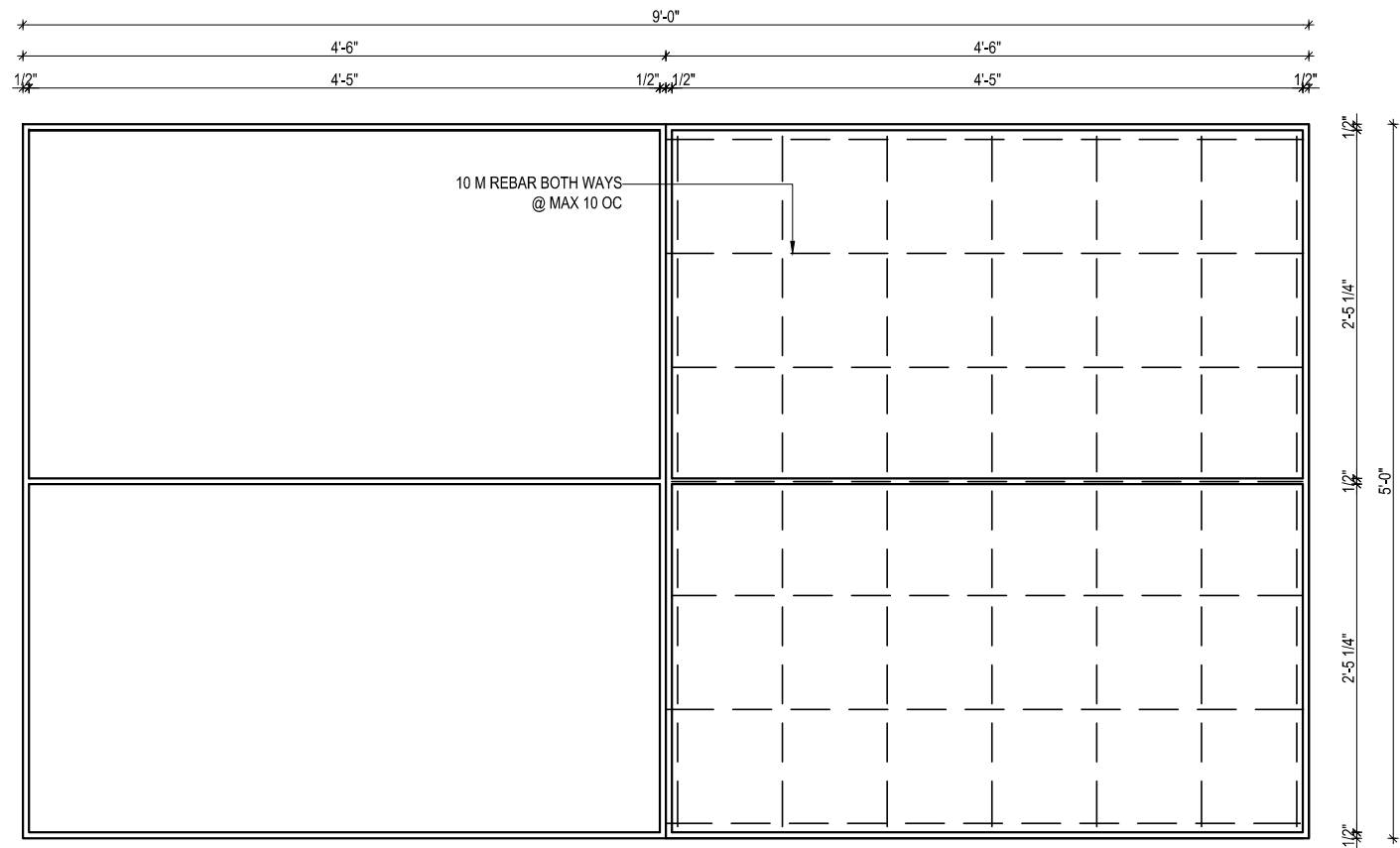
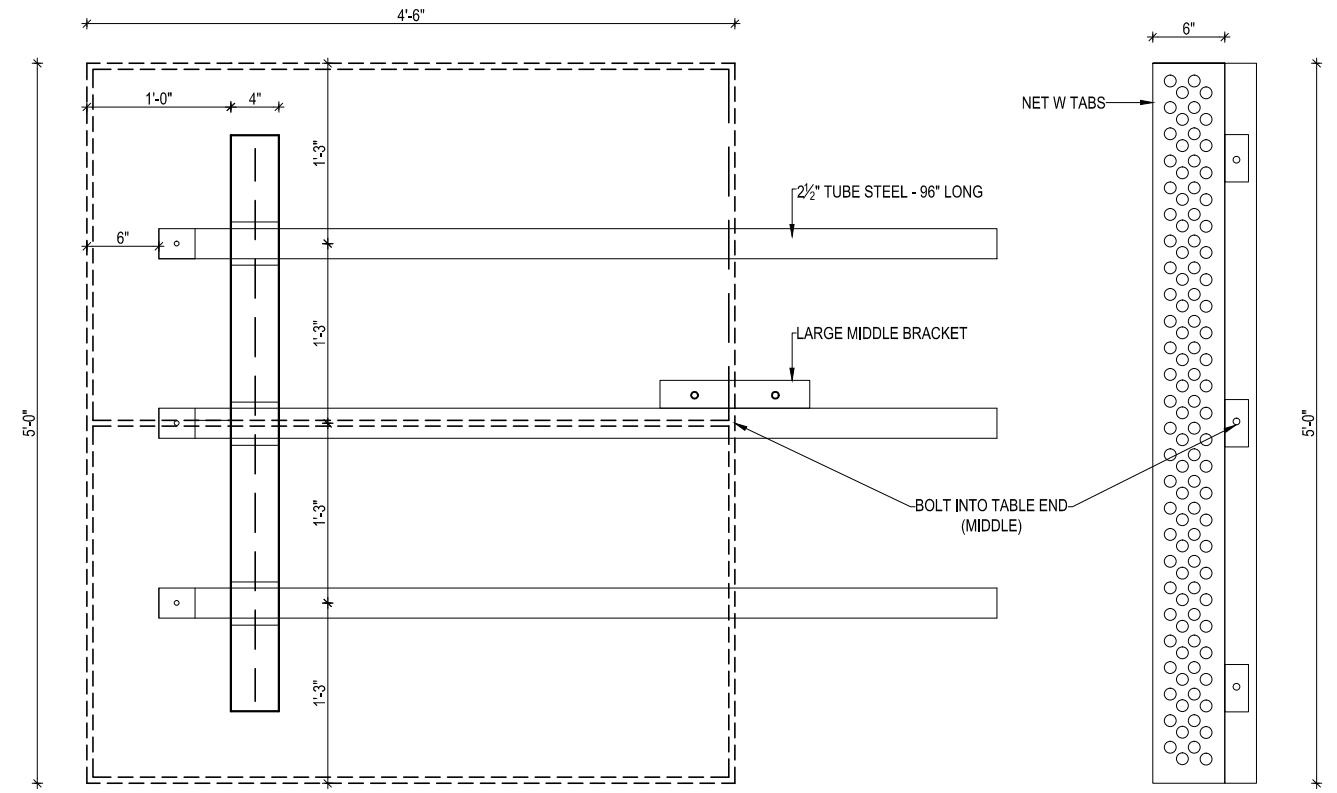




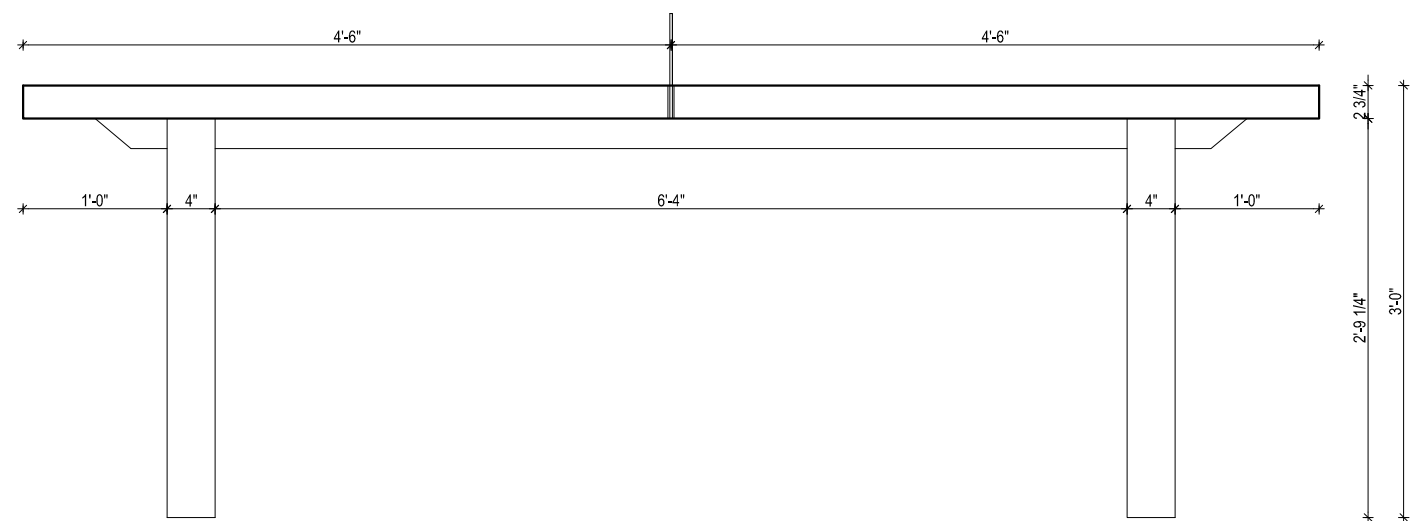
CUSTOMER:	REQUESTED BY:	SCALE:
	JAN ARNTORP	DATE: Jun 2017
PROJECT NAME:	DRAWN BY: VT	DWG NO: 1 / 2
	APPROVED BY:	REV DATE:
PING PONG TABLE		
12665 116 Ave Surrey, BC V3V 3S6 Ph. 604-580-4108 toll free 800-671-8882 FAX.604-580-411 info@sandersonconcrete.com		



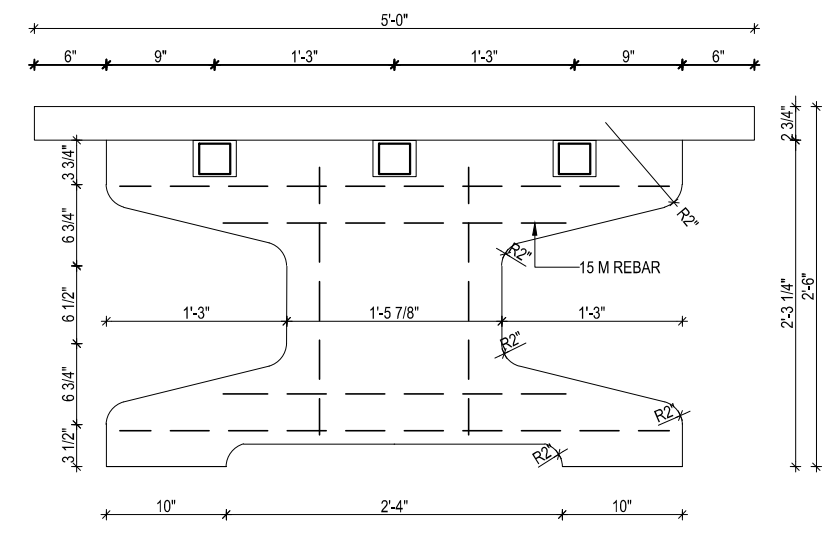
TOP VIEW



PLAN VIEW



SIDE VIEW



SIDE VIEW

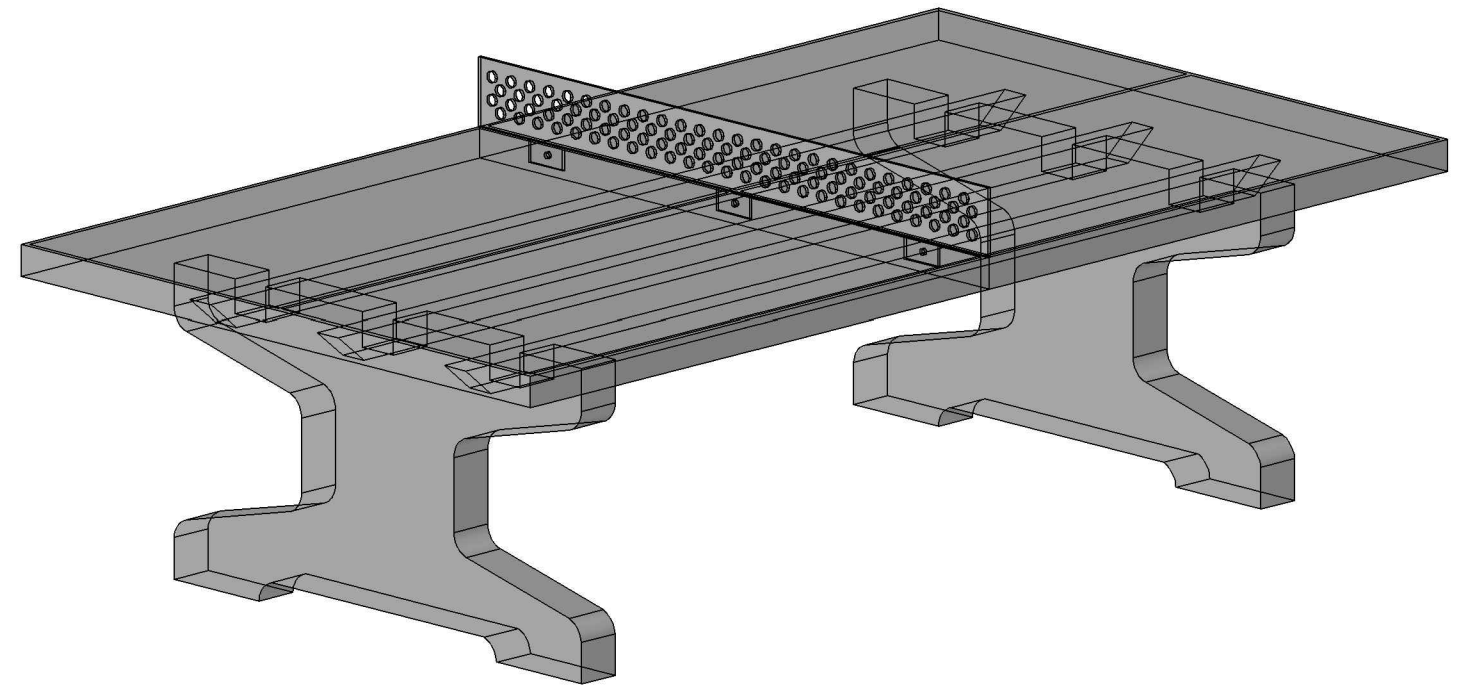


CUSTOMER:	REQUESTED BY:	SCALE:
	JAN ARNTORP	DATE: Jun 2017
PROJECT NAME:	DRAWN BY: VT	DWG NO: 2 / 2
PING PONG TABLE	APPROVED BY:	REV DATE:

12665 116 Ave Surrey, BC V3V 3S6 Ph. 604-580-4108 toll free 800-671-8882 FAX.604-580-411 info@sandersonconcrete.com



PLAN VIEW



ISOMETRIC VIEW