



PROJECT DESCRIPTION:

LOW PROFILE PARKING CURB
7.5" wide x 4" tall x 7'-0" long

DRAWN BY:

VT

APPROVED BY:

JAN ARNTORP

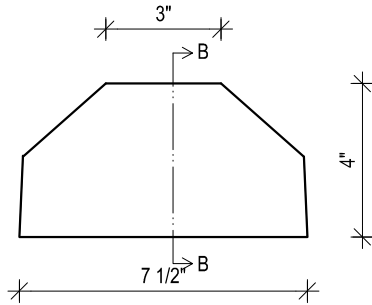
SCALE:

DATE:

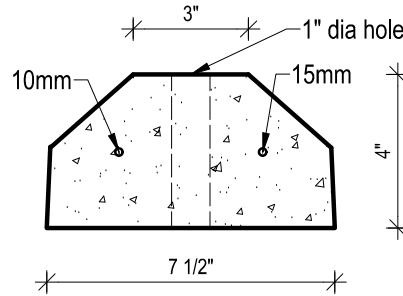
DWG NO:

REV DATE:

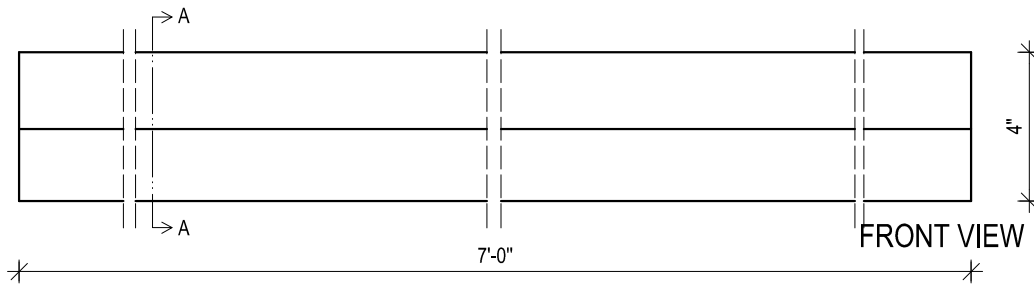
12665 116 Ave Surrey, BC V3V 3S6 Ph. 604-580-4108 toll free 800-671-8882 FAX.604-580-411 info@sandersonconcrete.com



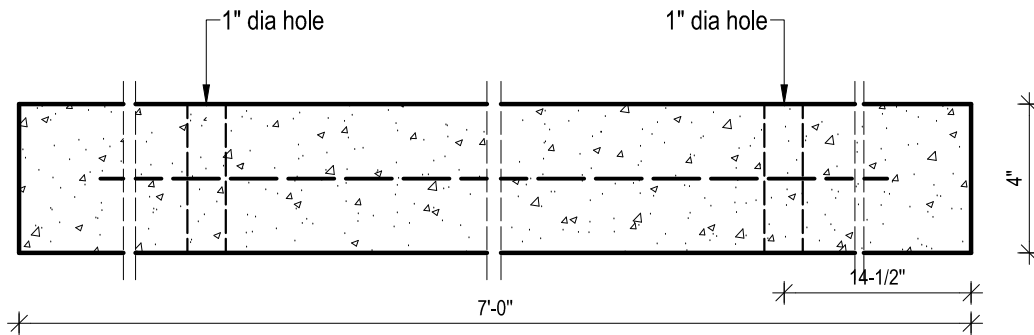
SIDE VIEW



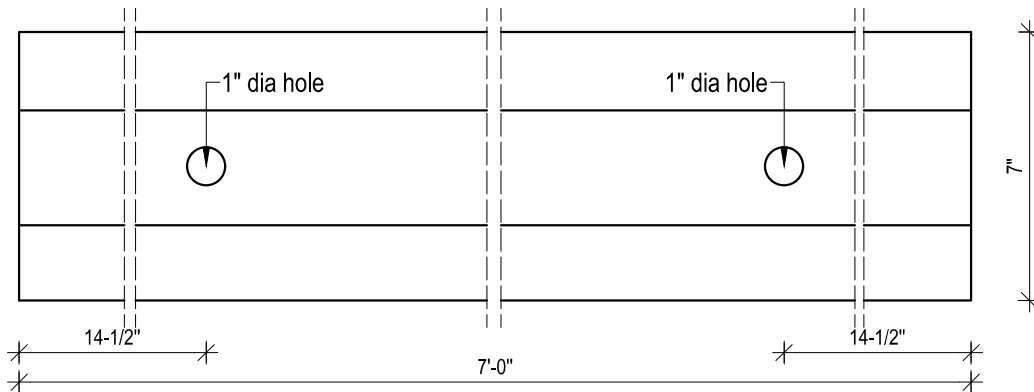
SECTION A-A



FRONT VIEW



SECTION B-B



TOP VIEW

Low profile parking curb Width x Height x Length	Top width	weight
7.5" wide x 4" tall x 7' - 0 long	3" across top	195 lbs