



PROJECT DESCRIPTION:

LSA3 SHALLOW BOWL PLANTER
38" dia x 10 1/2" tall

DRAWN BY:

V. TOSHANOVA

APPROVED BY:

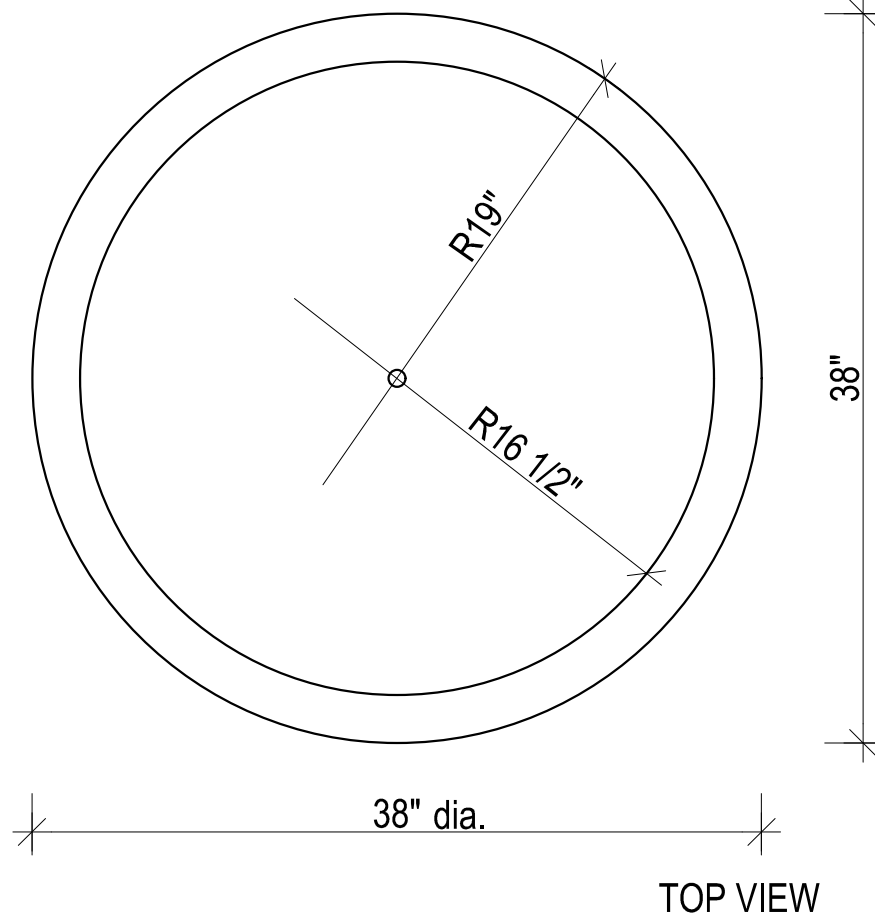
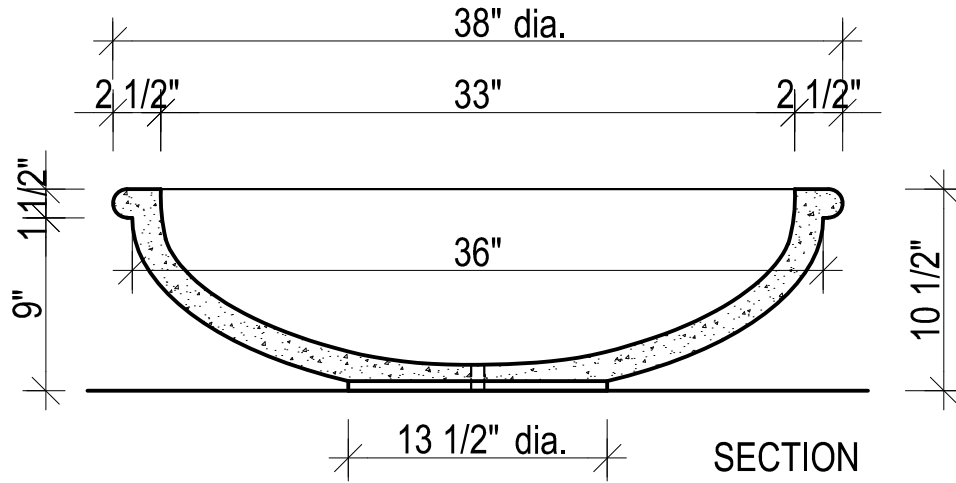
SCALE:

DATE:

DWG NO:

REV DATE:

12665 116 Ave Surrey, BC V3V 3S6 Ph. 604-580-4108 toll free 800-671-8882 FAX. 604-580-411 info@sandersonconcrete.com



SHALLOW BOWL PLANTER	Diameter x Height	weight
LSA3	38" X 10 1/2"	300 lb.