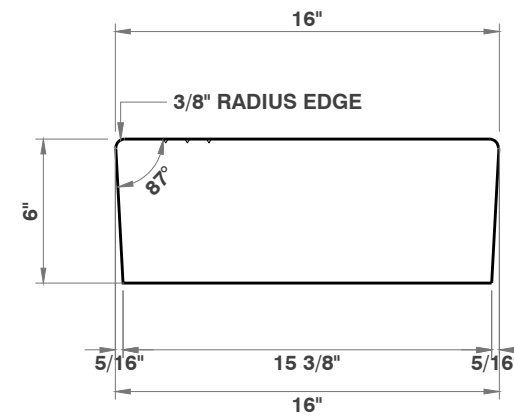
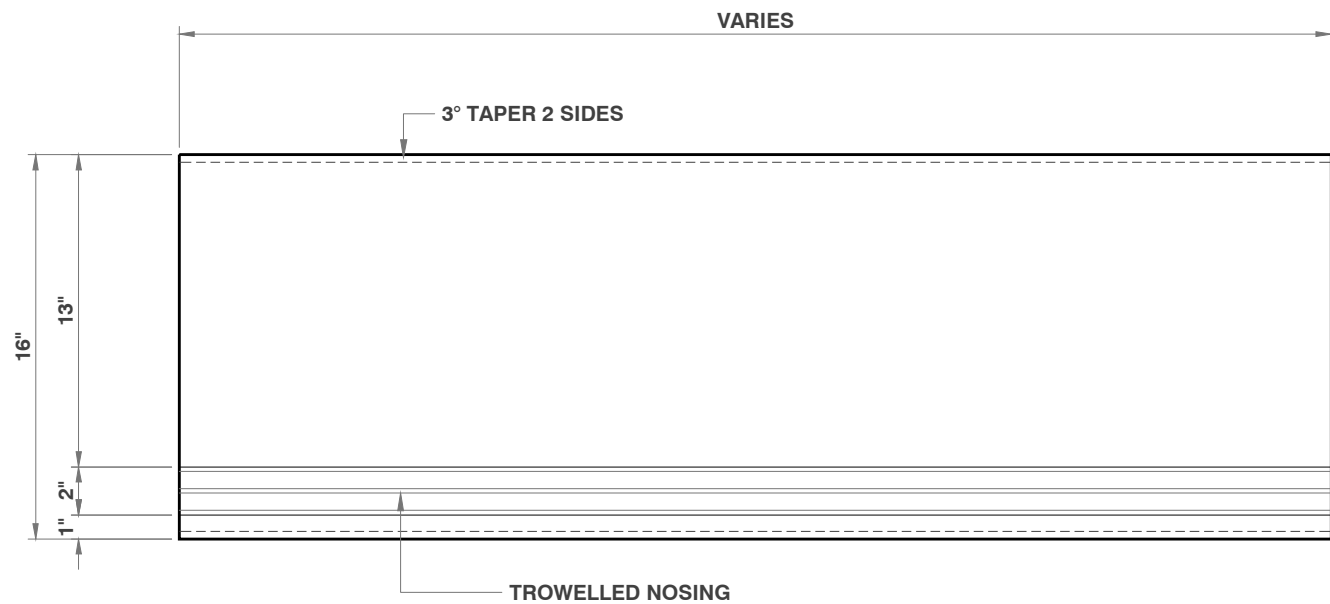


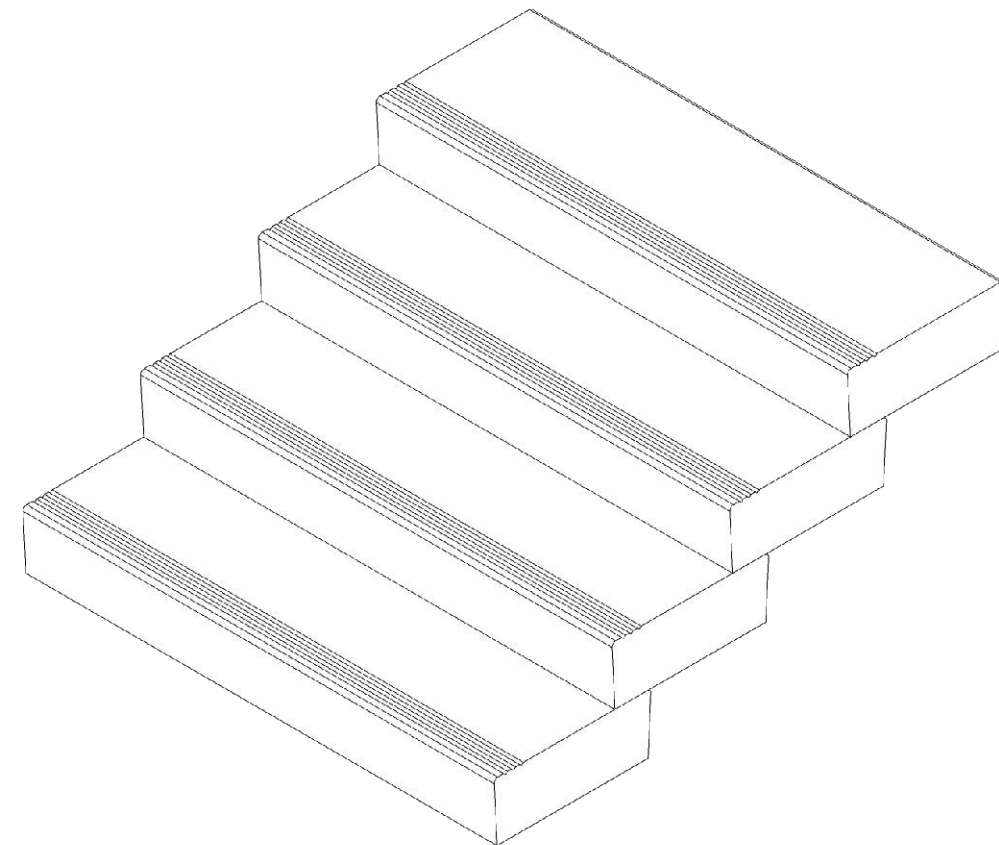
**ELEVATION**  
1 1/2"=1'



**END VIEW**  
1 1/2"=1'



**TOP VIEW**  
1 1/2"=1'



**3D DRAWING**

I N F O R M A T I O N   T A B L E					
ROMAN STEPS	LENGTH	WIDTH	HEIGHT	WEIGHT	REBAR
RS24	24"	16"	6"	200 lbs	2 x 15M
RS32	32"	16"	6"	267 lbs	2 x 15M
RS40	40"	16"	6"	335 lbs	2 x 15M
RS48	48"	16"	6"	402 lbs	2 x 15M
RS60	60"	16"	6"	503 lbs	2 x 15M

NOTE : CUSTOM LENGTHS AVAILABLE

C U S T O M E R   D E T A I L   I N F O R M A T I O N	
QUANTITY	
FINISH	LIGHT AND MEDIUM SANDBLAST, POLISHED AND TERRAZZO BROOM FINISH, COLOURED CONCRETE COLOURED AGGREGATES
COLOUR (NATURAL)	



PROJECT DESCRIPTION:  
**ROMAN STEPS VARIANTS  
TROWELLED NOSING**

DRAWN BY:  
**YJE**

REQD BY:

APPROVED BY:

NO.	DESCRIPTION	MM/DD/YY

SCALE: AS SHOWN

DATE: 01/12/21

DWG NO:  
**01**