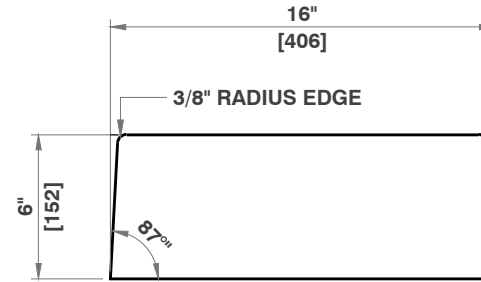
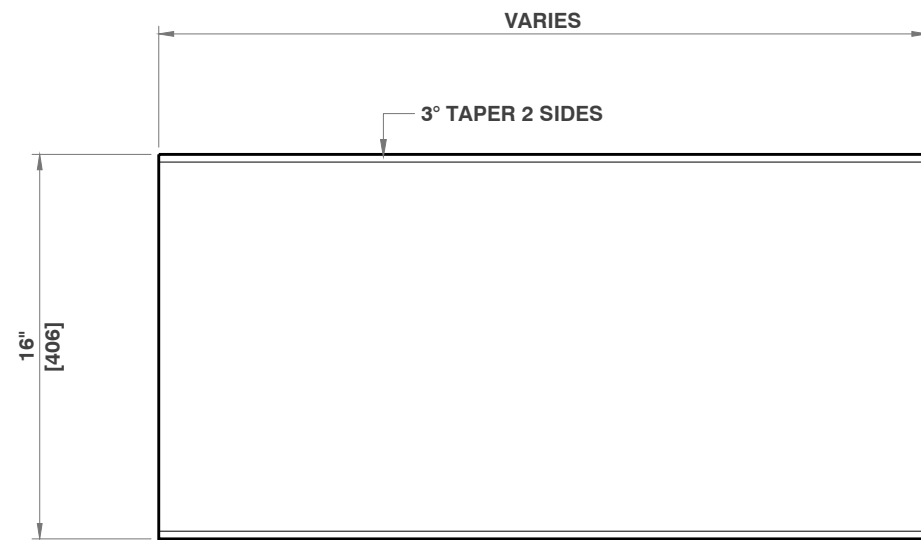


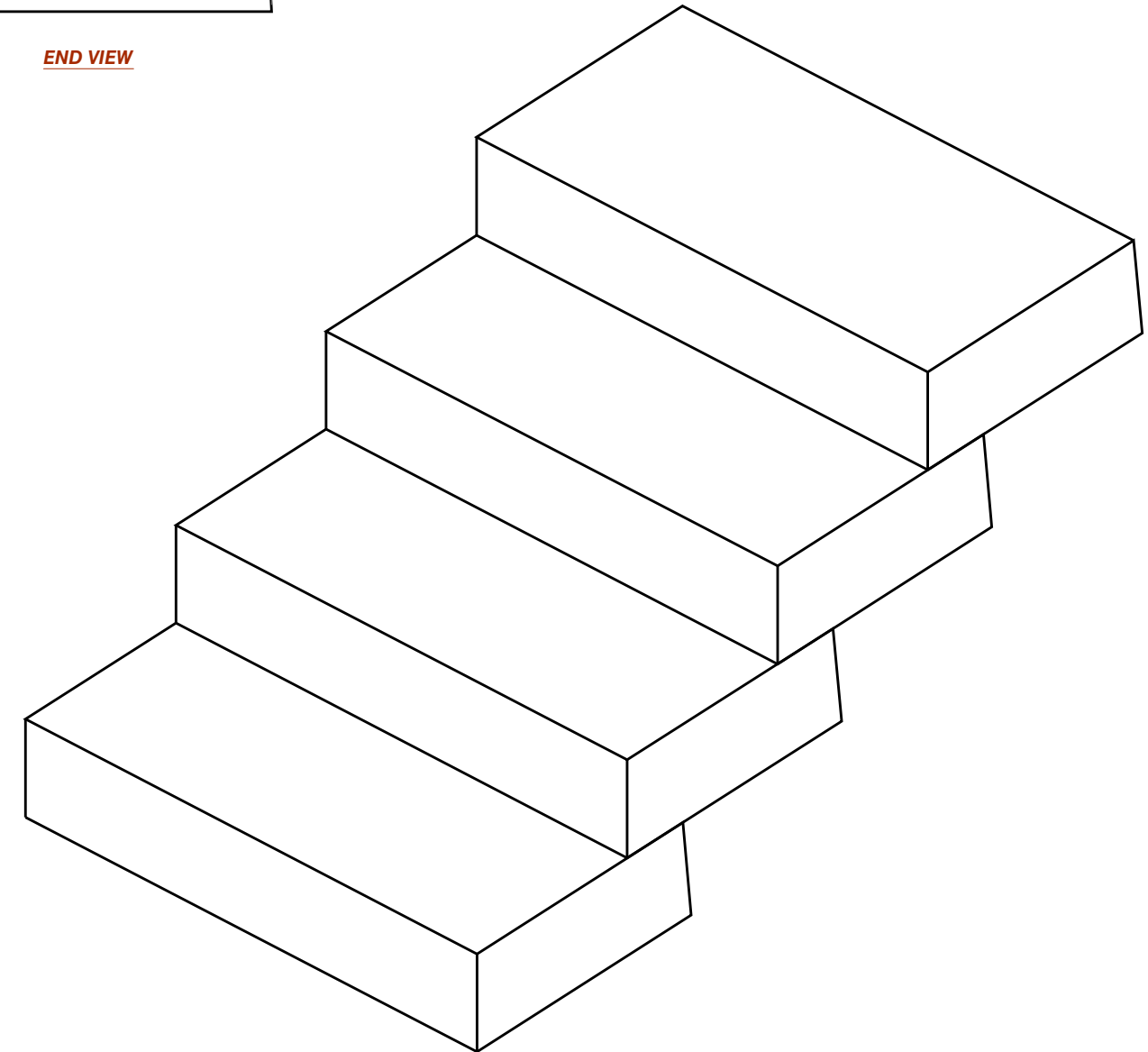
ELEVATION



END VIEW



TOP VIEW



3D DRAWING

INFORMATION TABLE					
ROMAN STEPS	LENGTH	WIDTH	HEIGHT	WEIGHT	REBAR
RS24	24"	16"	6"	200 lbs	2 x 15M
RS32	32"	16"	6"	267 lbs	2 x 15M
RS40	40"	16"	6"	335 lbs	2 x 15M
RS48	48"	16"	6"	402 lbs	2 x 15M
RS60	60"	16"	6"	503 lbs	2 x 15M

NOTE : CUSTOM LENGTHS AVAILABLE

CUSTOMER DETAIL INFORMATION	
QUANTITY	
FINISH	LIGHT AND MEDIUM SANDBLAST, POLISHED AND TERRAZZO BROOM FINISH, COLOURED CONCRETE COLOURED AGGREGATES
COLOUR (NATURAL)	
FERRULE LOOP INSERT	
DIMENSIONS	



PROJECT DESCRIPTION:
ROMAN STEPS

DRAWN BY:
Yves Jun Elnas

APPROVED BY:

NO.	DESCRIPTION	YY/MM/DD

SCALE:

DATE: 2020/Oct/05

DWG NO:
01