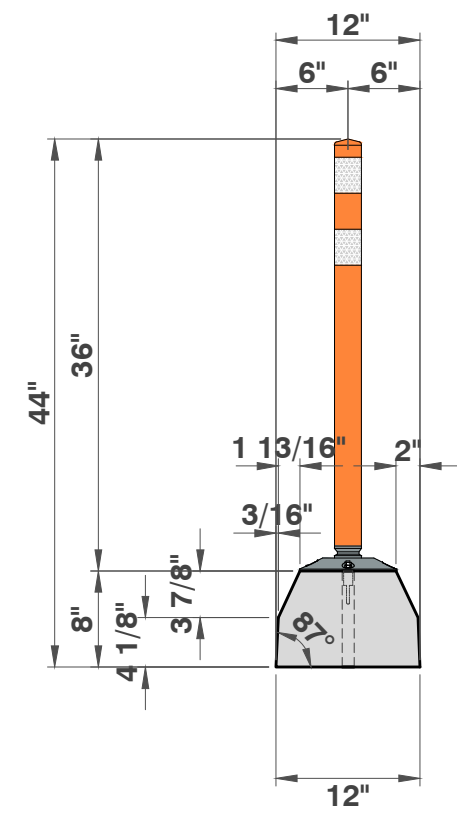
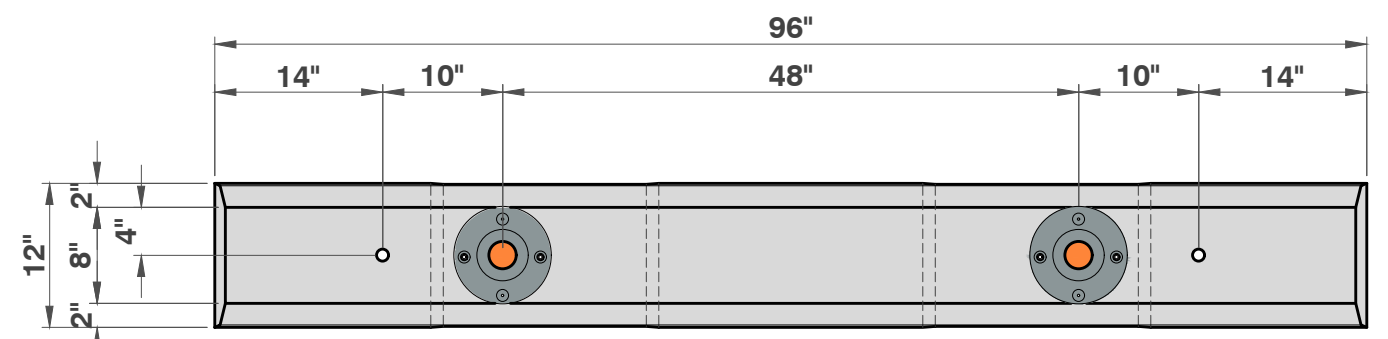


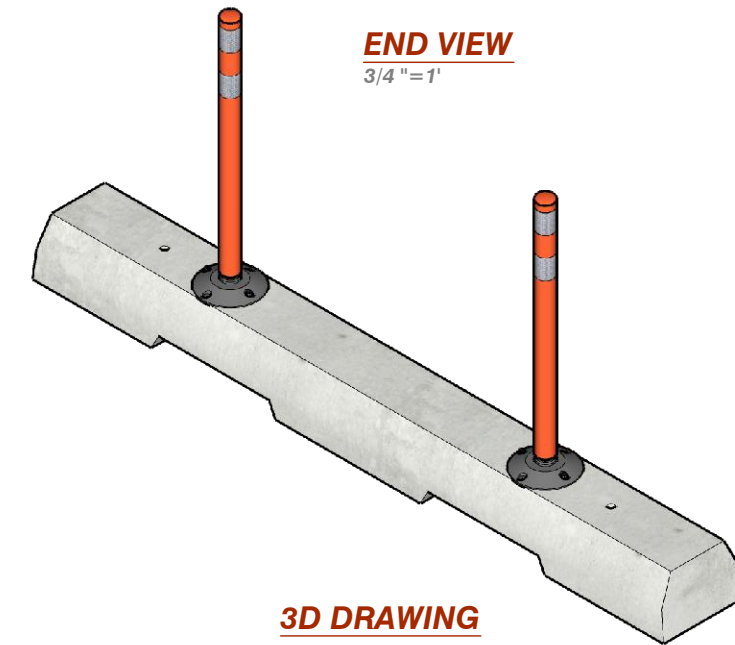
ELEVATION
3/4" = 1'



END VIEW
3/4" = 1'



TOP VIEW
3/4" = 1'



3D DRAWING

PIECE DESCRIPTION:

- 4 PCS 3/8" FERRULE LOOP INSERT
- 2 PCS 2 1/4"Ø x 36" DELINEATORS WITH BLACK BASE
- TWO 1"Ø DOWEL HOLES

NOTE:

- WHEN INSTALLING CURBS WITH PINS. LAYOUT CURBS TO DESIRED POSITION AND THEN INSTALL PIN
- PIN HOLES IN CURBS MAY BE SLIGHTLY ANGLED AND DIFFER FROM CURB TO CURB. DO NOT PRE-DRILL PIN HOLES

CUSTOMER DETAIL INFORMATION

QUANTITY	
FINISH	
COLOUR (AVAILABLE)	ORANGE, YELLOW, WHITE
WEIGHT	
DIMENSIONS	96" x 44" x 12"



PROJECT DESCRIPTION:
BIKE LANE BARRIERS SURFACED MOUNTED

DRAWN BY:
YJE

REQD BY:
CA

APPROVED BY:

RN.	DESCRIPTION	MM/DD/YY	SCALE: AS SHOWN
			DATE: 07/15/21
			DWG NO: 01