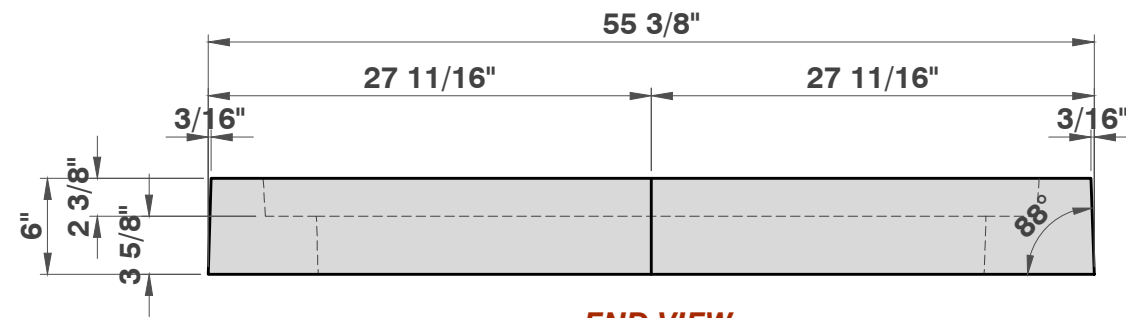
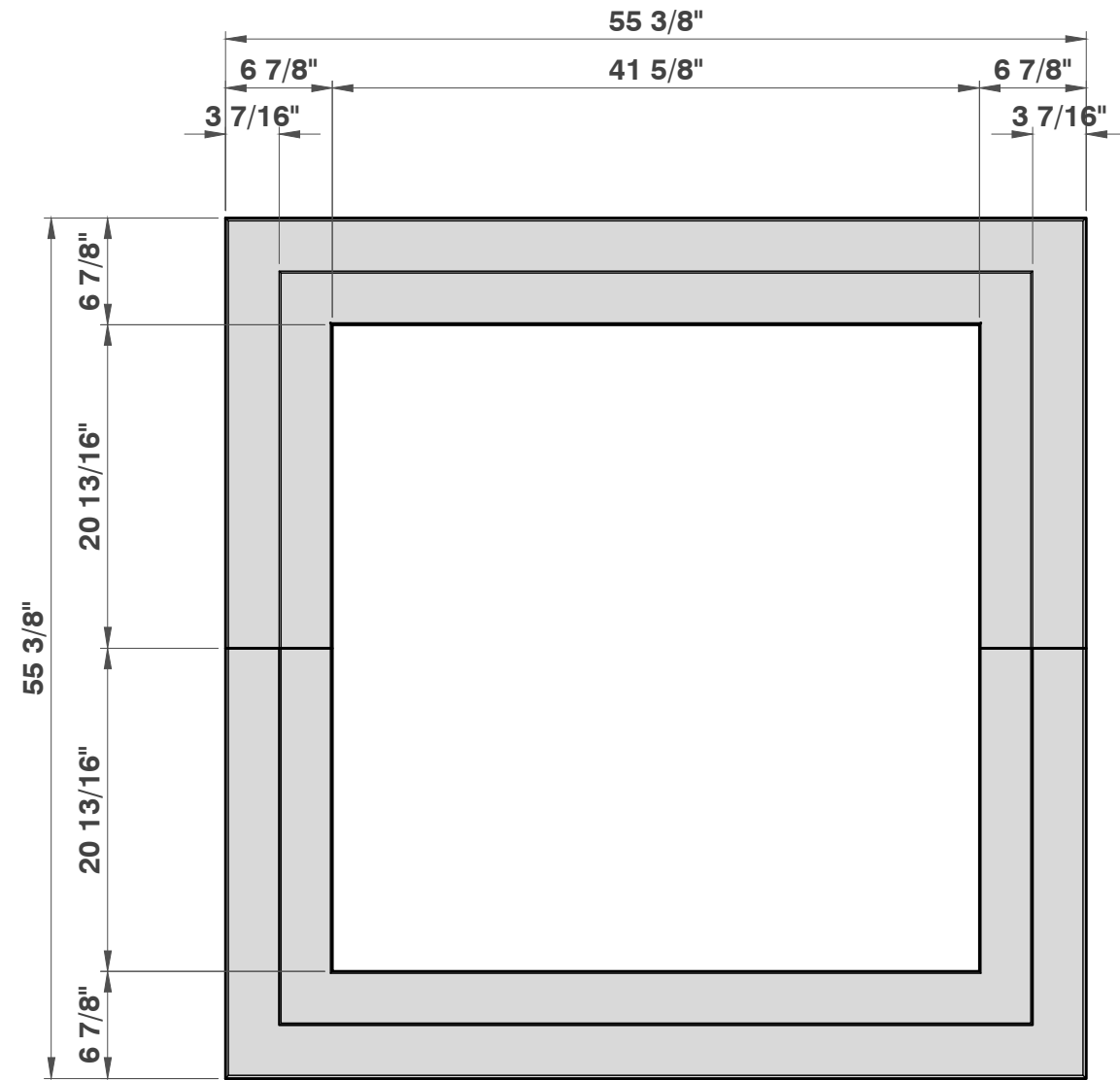


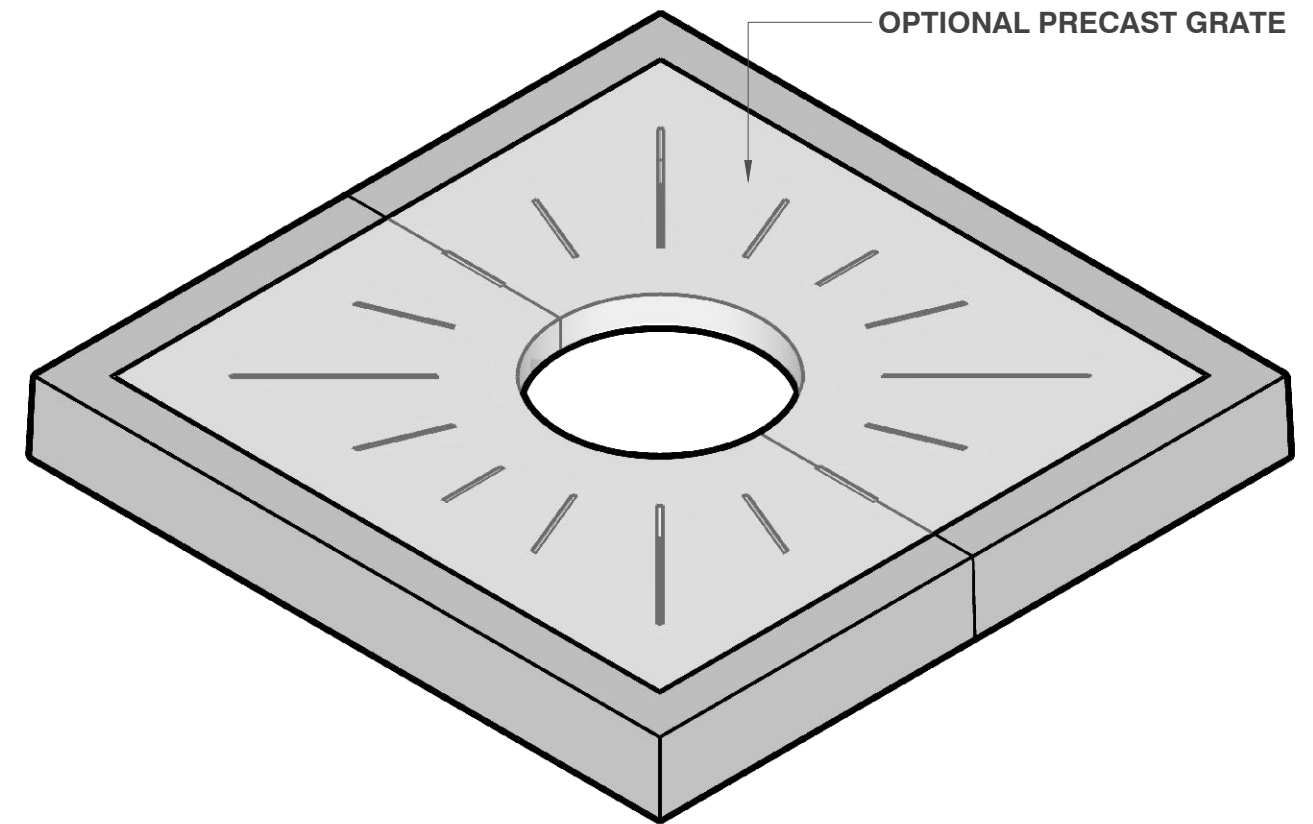
ELEVATION
1"=1'



END VIEW
1"=1'



ELEVATION
1"=1'



3D DRAWING

| CUSTOMER DETAIL INFORMATION | |
|-----------------------------|---|
| QUANTITY | |
| FINISH | PLAIN CONCRETE, SANDBLAST, EXPOSED AGGREGATE |
| COLOUR | CUSTOM COLOURED |
| WEIGHT (TOTAL) | 574 LBS. |
| DIMENSIONS | 55 3/8" x 55 3/8" x 6" |



PROJECT DESCRIPTION:
48" TREE GRATE FRAME

DRAWN BY:
YJE

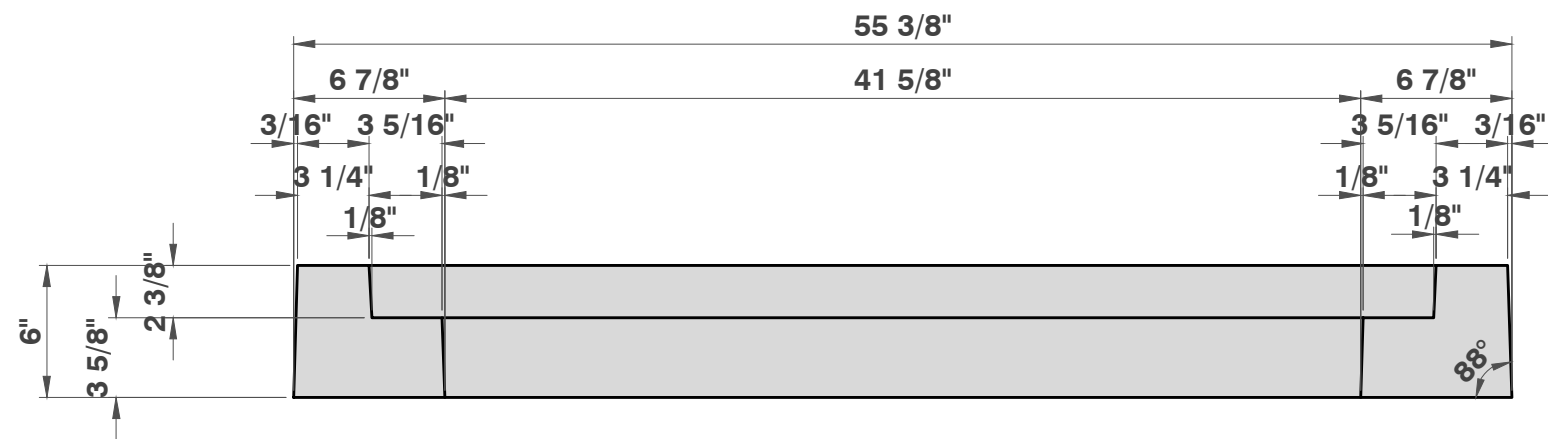
REQD BY:
JP

APPROVED BY:

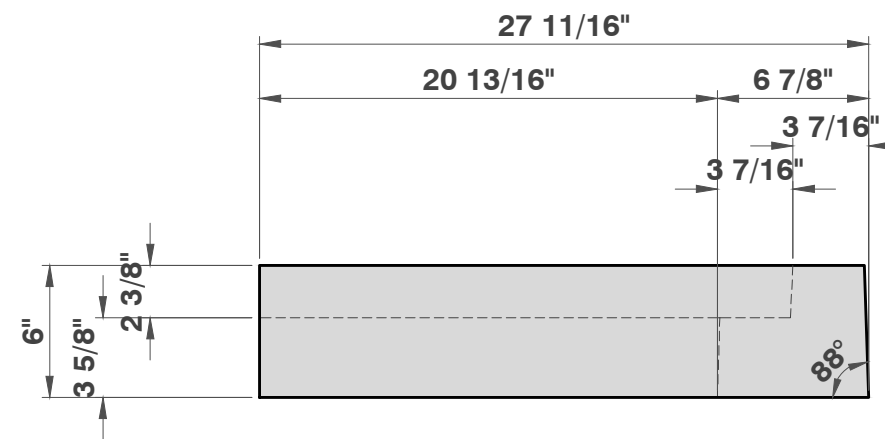
| RN. | DESCRIPTION | MM/DD/YY |
|-----|-------------|----------|
| | | |
| | | |
| | | |
| | | |
| | | |
| | | |
| | | |
| | | |
| | | |
| | | |

SCALE: AS SHOWN
DATE: 10/22/21
PAGE NO:
01

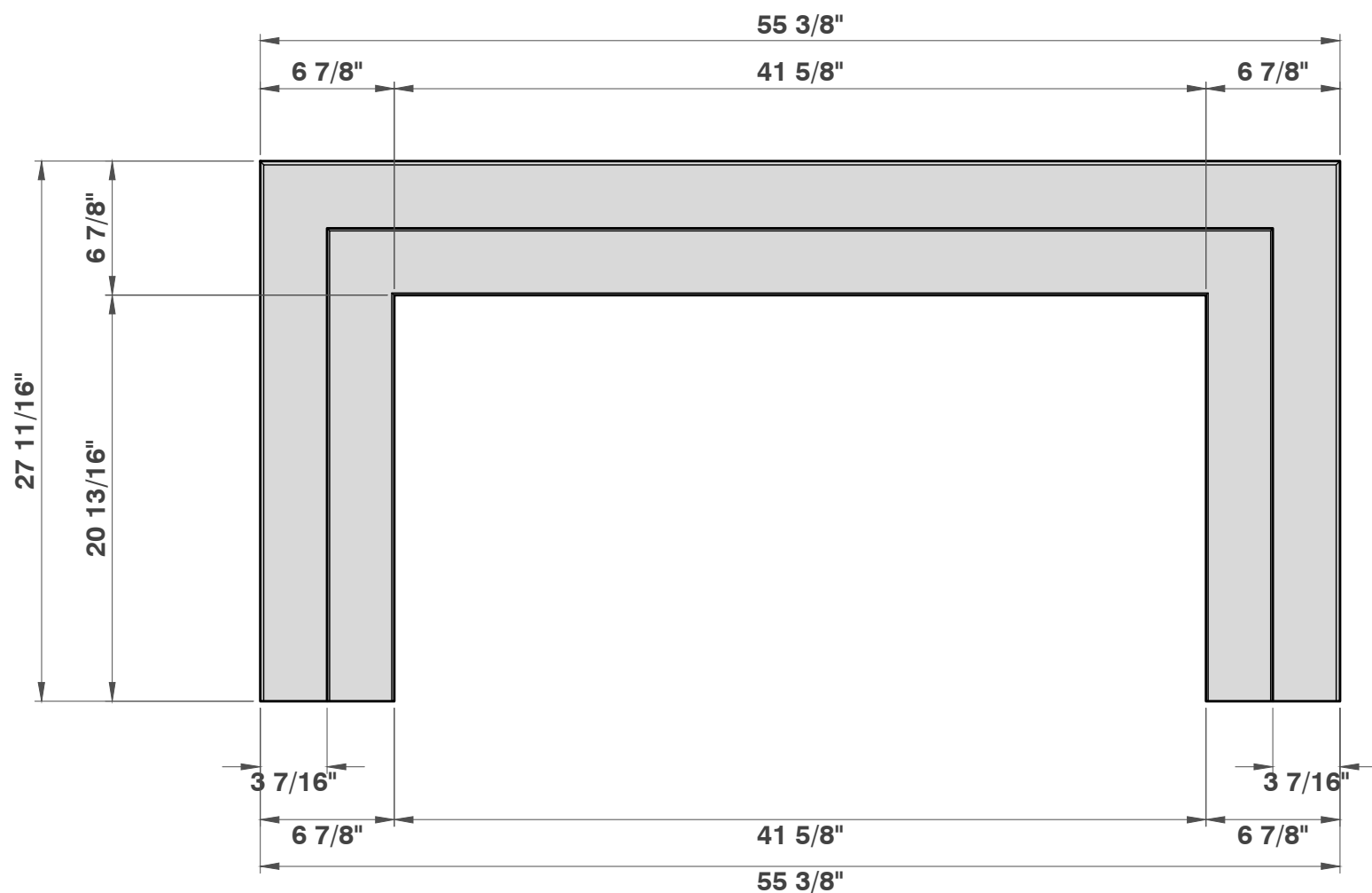
D:\SANDERSON CONCRETE INC\00191 - 101821 - 48inch Tree Grate Frame - JP\01 - ACAD\01 - SET\48inch Tree Grate Frame 10222021.dwg



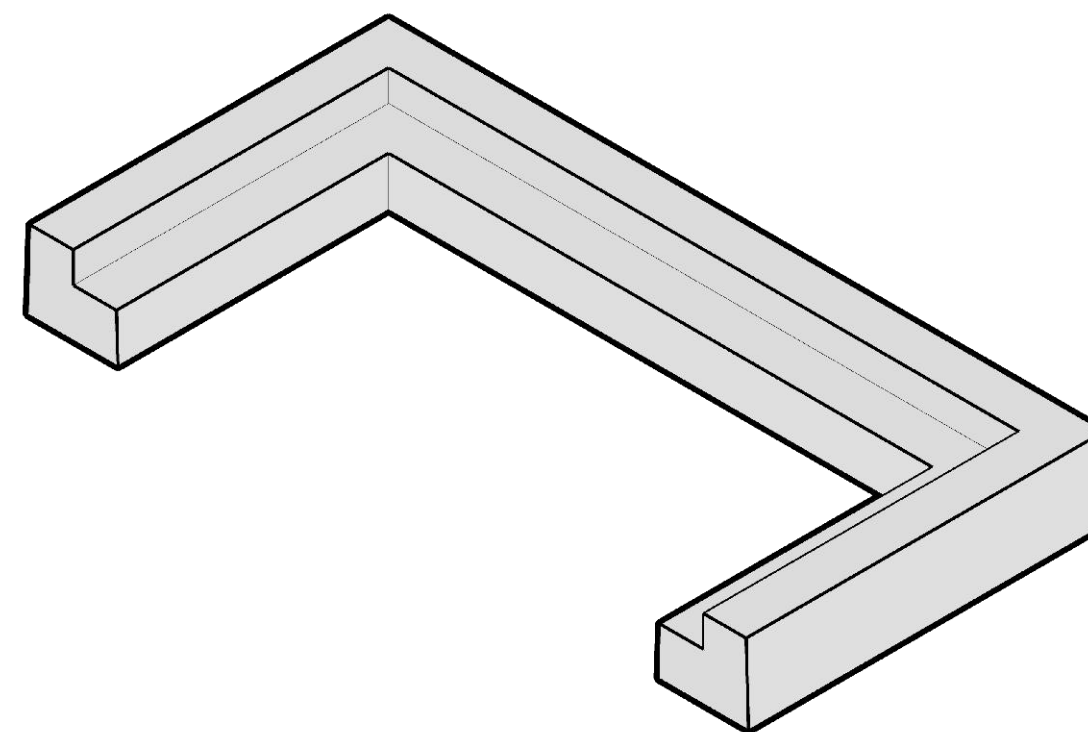
ELEVATION
1 3/8" = 1'



END VIEW
1 3/8" = 1'



TOP VIEW
1 3/8" = 1'



3D DRAWING

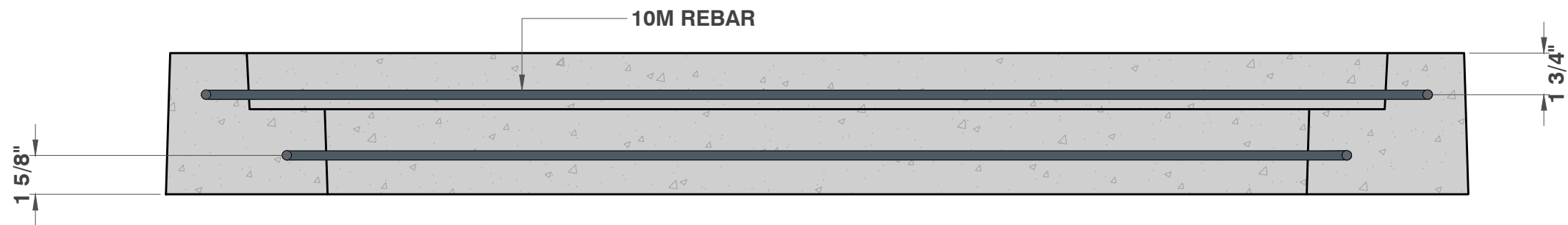
CUSTOMER DETAIL INFORMATION

| | |
|------------|--------------------------|
| QUANTITY | 2 PCS. |
| FINISH | |
| COLOUR | |
| WEIGHT | 287 LBS. EA. |
| DIMENSIONS | 55 3/8" x 27 11/16" x 6" |

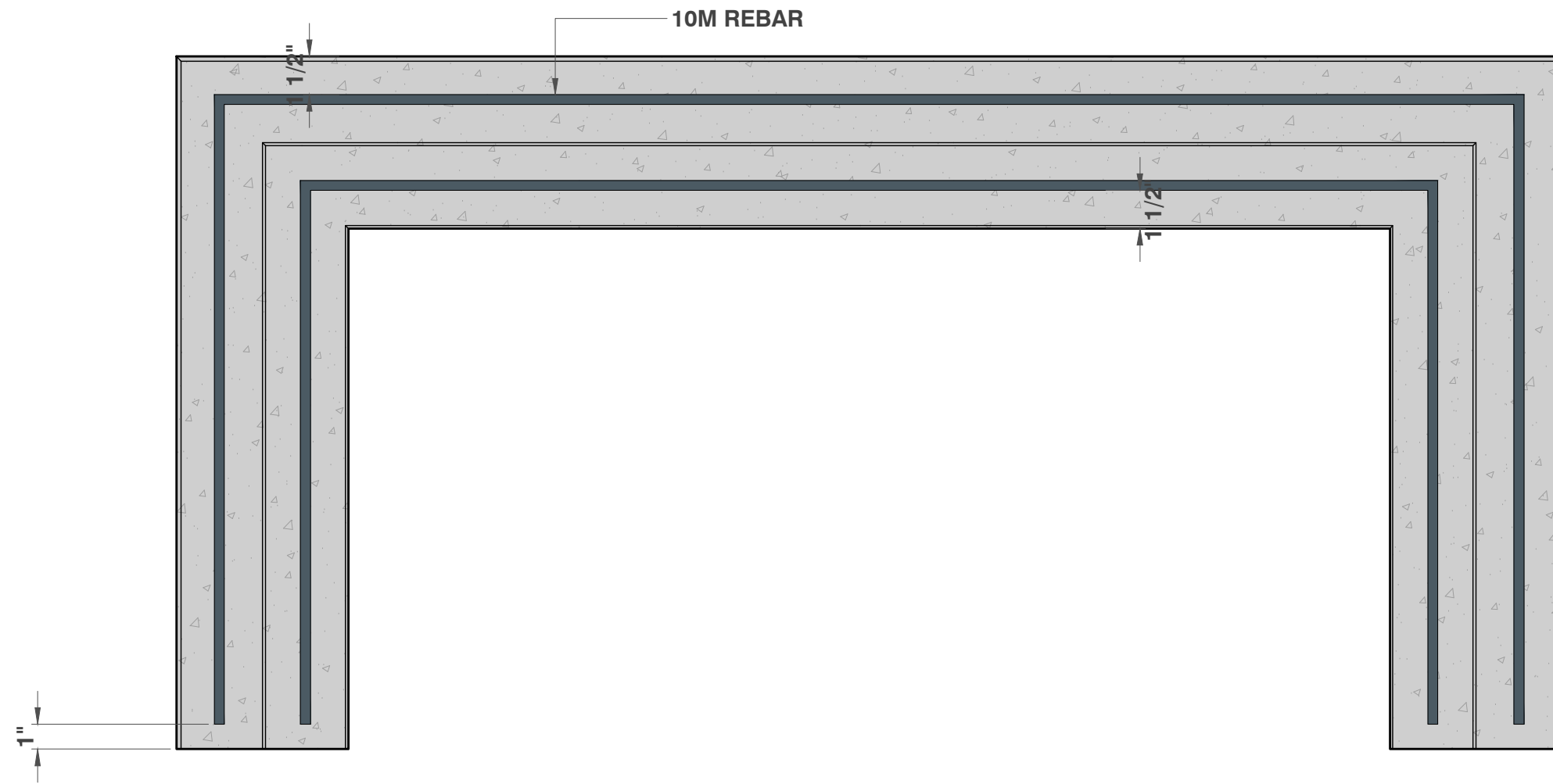


| | |
|----------------------|----------------------|
| PROJECT DESCRIPTION: | 48" TREE GRATE FRAME |
|----------------------|----------------------|

| | | | | | |
|--------------|----------|-----|-------------|----------|-----------------|
| DRAWN BY: | REQD BY: | RN. | DESCRIPTION | MM/DD/YY | SCALE: AS SHOWN |
| YJE | JP | | | | DATE: 10/22/21 |
| APPROVED BY: | | | | | PAGE NO: 02 |



ELEVATION VIEW REINFORCEMENT
2" = 1'



TOP VIEW REINFORCEMENT
2" = 1'



PROJECT DESCRIPTION:
48" TREE GRATE FRAME

DRAWN BY:
YJE

APPROVED BY:

REQD BY:
JP

| RN. | DESCRIPTION | MM/DD/YY |
|-----|-------------|----------|
| | | |
| | | |
| | | |
| | | |
| | | |
| | | |

SCALE: AS SHOWN

DATE: 10/22/21

PAGE NO:
03

D:\SANDERSON CONCRETE INC\00191 - 101821 - 48inch Tree Grate Frame -JP01- ACAD\01- SET\48inch Tree Grate Frame 10222021.dwg