

RECTANGULAR LIPPED PLANTER — COMPACT

Model: RL19

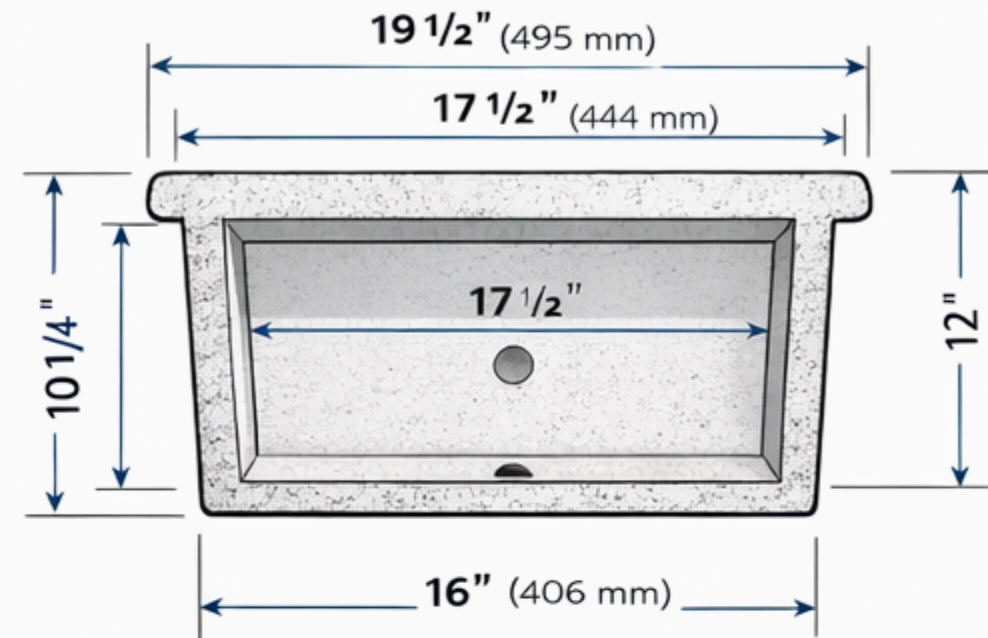
Overall Dimensions (495 x 343 x 305 mm)	19 1/2" L x 13 1/2" W x 12" H (495 x 343 x 305 mm)
Interior Opening (444 x 260 mm)	17 1/2" L x 10 1/4" Depth (444 x 260 mm)
Base Width	16" (406 mm)
Wall Thickness	Approx. 1 1/4" (32 mm)
Base Thickness	1/2" (13 mm)
Weight	65 lb (30 kg) (• 25 kg :mmm)



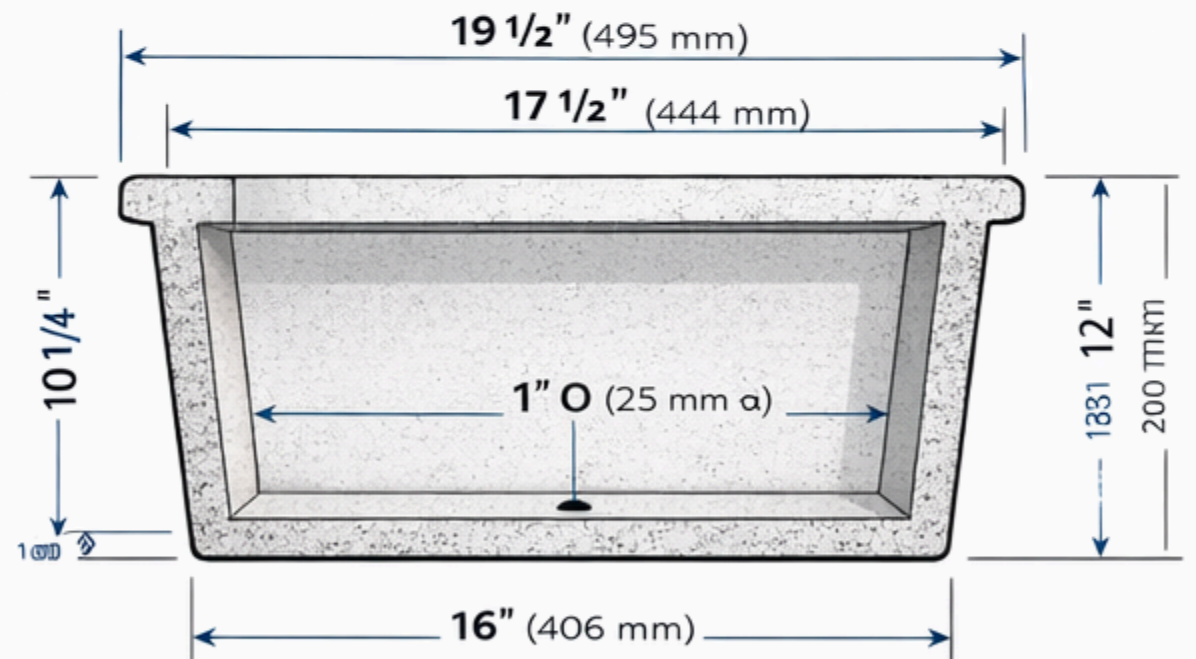
- Drainage**
 - 1" Ø drain hole centered in base

- Finish:** Exposed aggregate
- Polished rim
 - Sealed top coat

TOP VIEW



SECTION VIEW



RECTANGULAR LIPPED PLANTER – COMPACT

ITEM	DIMENSIONS	TYPE	DWG NO
RL19	19 1/2" x 13 1/2" x 12"	COMPACT	A RL19